

FEATURES

- Solenoid valve suitable for cutting off the flow of a fluid by pinch
- For sterile, aseptic, physiological and food applications
- No turbulence when cutting off flow by pinch
- Silent operation
- Full bore output flow compared with a traditional solenoid valve
- Manual pulse control for fitting tube
- A single component in contact with the fluid, i.e. the tube
- Bi-directional flow
- The solenoid valves satisfy all relevant EC directives

GENERAL

Differential pressure See «SPECIFICATIONS» [1 bar = 100 kPa]

fluids (*)
air, inert gases, water, oil and liquids

MATERIALS IN CONTACT WITH FLUID

(*) Ensure that the compatibility of the fluids in contact with the materials is verified

Recommended flexible tube VMQ (silicone)
(max. hardness: 50 Shore A)
The silicone tube is not included in our supply

OTHER MATERIALS

Body Aluminium, anodised
Pinch mechanism POM (Graphite-reinforced polyacetal)
Internal parts Stainless steel
Guide tube Nickel-plated brass

ELECTRICAL CHARACTERISTICS

Coil insulation class F
Connector Spade plug (cable Ø 4-6 mm or Ø 6-10 mm)
Connector specification
4 W (DNX-4) DIN 43650, 9,4 mm, industry standard B
6 W / 13 W (AMX/FNX) ISO 4400 / EN 175301-803, form A
Electrical safety IEC 335
Electrical enclosure protection Coil type 01 = IP40 / Coil type 02-03 = IP65
Standard voltages DC (=) : 12V - 24V

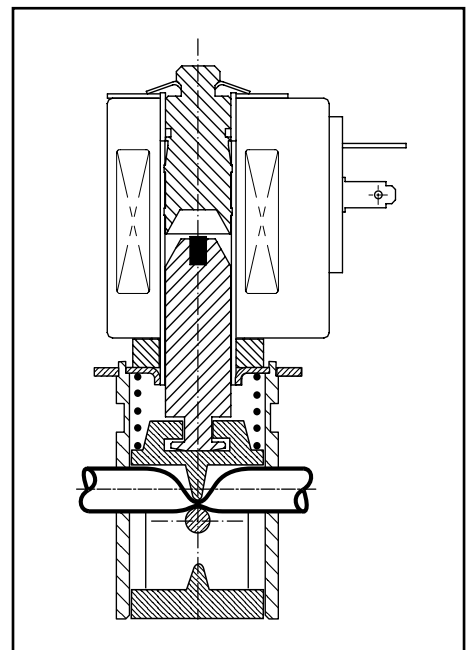
(Other voltages on request)

prefix option	power ratings				operator ambient temperature range (TS) (C°)	replacement coil		type ⁽¹⁾
	inrush ~	holding ~	hot/cold =			=	=	
	(VA)	(VA)	(W)	(W)		12 V DC	24 V DC	
SC	-	-	-	4	-10 to + 60	43005268	43005269	01 (DNX-4)
	-	-	-	9		43005143	43005144	02 (AMX)
	-	-	-	13		43005316	43005317	03 (FNX)

⁽¹⁾ Refer to the dimensional drawings on the following page.

SPECIFICATIONS

tube I.D. (mm)	tube O.D. (mm)	pinch force (daN)	operating pressure differential (bar)				power coil (W)		catalogue number
			min.	max. (PS)		~	=		
				air inert gas (*)	liquids (*)				
				=	=			=	
NC - Normally closed									
0,76	1,65	0,18	0	0,8	0,8	-	4	SCH284B001	
1,02	2,16	0,22	0	0,8	0,8	-	4	SCH284B002	
1,57	3,18	0,28	0	0,8	0,8	-	4	SCH284B003	
1,98	3,18	0,25	0	0,8	0,8	-	4	SCH284B004	
2,7	4,9	0,65	0	0,8	0,8	-	9	SCH284A005	
4,8	7,9	1,1	0	0,8	0,8	-	13	SCH284B006	
6,4	9,5	1,4	0	0,8	0,8	-	13	SCH284B007	



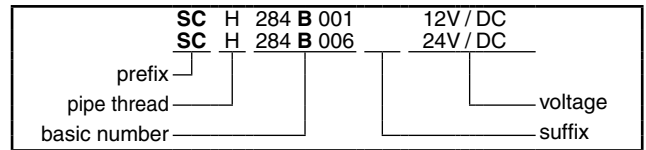
OPTIONS AND ACCESSORIES

- Flexible tubes having to use an external guiding device for optimum support (see dimensions):
 - with an outside diameter lower than 2,2 mm (catalogue numbers SCH284B001 to ..B004)
 - with an outside diameter lower than 3,5 mm (catalogue number SCH284A005)
 - with an outside diameter lower than 6 mm (catalogue numbers SCH284B006 and ..007)
- For use on tubes other than those recommended, contact us
- Plug with visual indication and peak voltage suppression or with cable length of 2 m

INSTALLATION

- The solenoid valves can be mounted in any position without affecting operation. However, for optimum performance it is recommended that they be fitted with the solenoid operator at the top.
- Fixing plate built in between the body and the coil for assembly in a bank on a base plate.
- Flexible tubes are not included in our supply.
- Do not connect the solenoid valve to the power supply without fitting a flexible tube beforehand**
- Installation/maintenance instructions are included with each valve.

ORDERING EXAMPLES:



DIMENSIONS (mm), WEIGHT (kg)



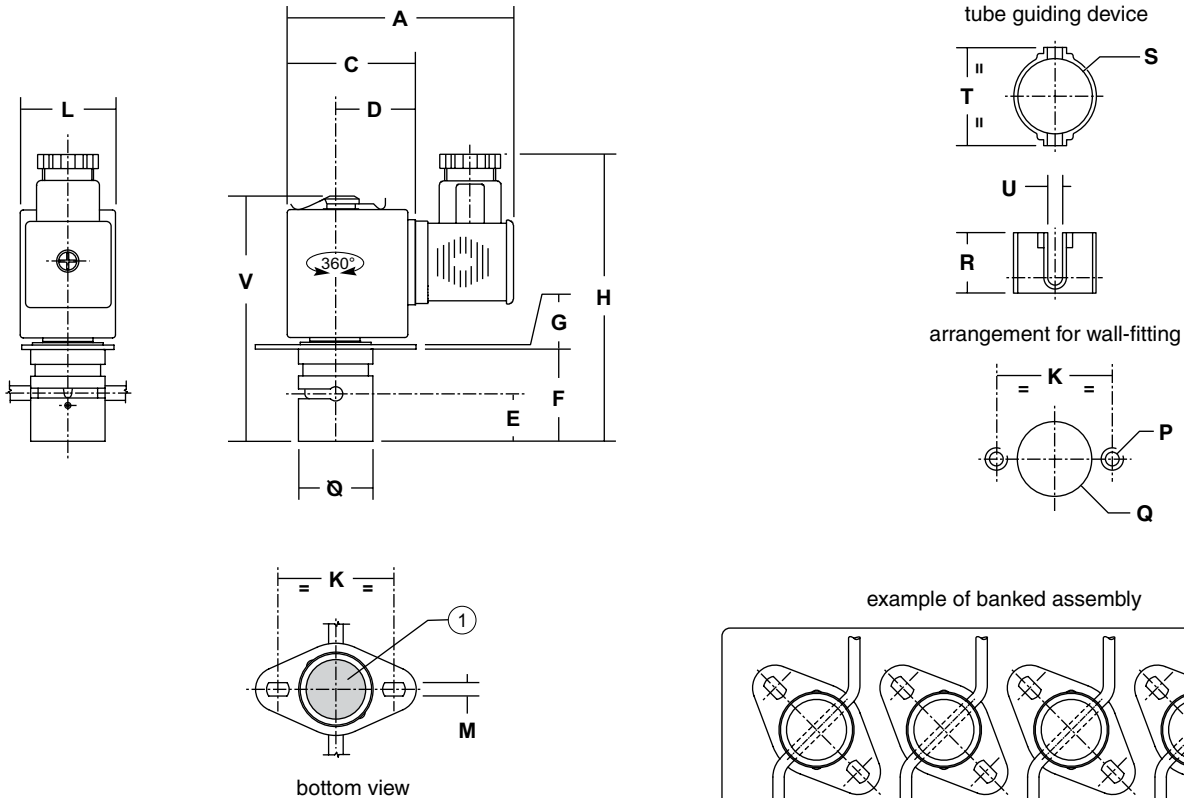
TYPE 01
Prefix "SC" Solenoid
IEC 335 / DIN 43650
IP40

Type 01: SCH284B001/002/003/004



TYPE 02-03
Prefix "SC" Solenoid
IEC 335 / ISO 4400
IP65

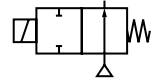
Type 02: SCH284A005
Type 03: SCH284B006/B007



① Impulse manual operator

type	prefix option	catalogue number	Ø	A	C	D	E	F	G	H	K	L	M	P	Q	R	S	T	U	V	weight ⁽¹⁾	tube guiding device	
																						catalogue numebr	weight
01	SC	SCH284B001/002/003/004	16	49,5	23,5	15	11	20	1	66	24	17	3,3	M3	16,5	10,7	16	24	2,2	51,2	0,06	C140094	0,005
02	SC	SCH284A005	25	78	43	27	17,5	32	1,5	99	39	32	4,5	M4	25,5	14	25	33	3,2	82,5	0,28	C140095	0,009
03	SC	SCH284B006/B007	30	84	49	28	24,5	43,5	1,5	99	45,5	42	4,5	M4	30,5	24	30	39	6	99	0,47	C140096	0,015

⁽¹⁾ Incl. coil(s) and connectors..



FEATURES

- Solenoid valve suitable for cutting off the flow of a fluid by pinch
- For sterile, aseptic, physiological and food applications
- No turbulence when cutting off flow by pinch
- Silent operation
- Full bore output flow compared with a traditional solenoid valve
- Manual pulse control for fitting tube
- A single component in contact with the fluid, i.e. the tube
- Bi-directional flow
- The solenoid valves satisfy all relevant EC directives

GENERAL

Differential pressure See «SPECIFICATIONS» [1 bar = 100 kPa]

fluids (*)
air, inert gases, water, oil and liquids

MATERIALS IN CONTACT WITH FLUID

(*) Ensure that the compatibility of the fluids in contact with the materials is verified

Recommended flexible tube VMQ (silicone)
(max. hardness: 50 Shore A)
The silicone tube is not included in our supply

OTHER MATERIALS

Body Aluminium, anodised
Pinch mechanism POM (Graphite-reinforced polyacetal)
Internal parts Stainless steel
Guide tube Nickel-plated brass

ELECTRICAL CHARACTERISTICS

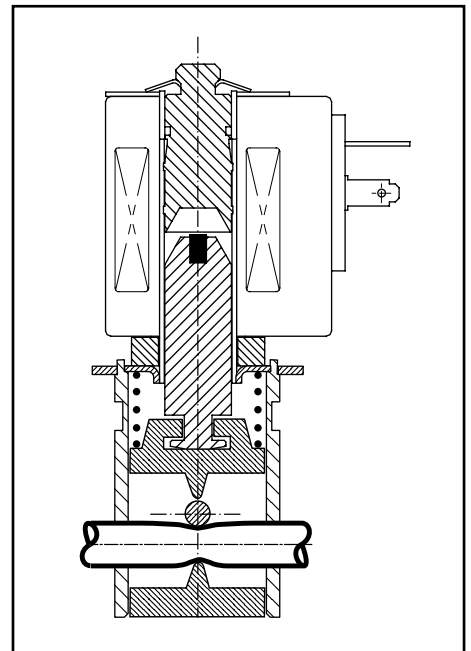
Coil insulation class F
Connector Spade plug (cable Ø 4-6 mm or Ø 6-10 mm)
Connector specification
4 W (DMX) DIN 43650, 9,4 mm, industry standard B
6 W / 13 W (AMX/FNX) ISO 4400 / EN 175301-803, form A
Electrical safety IEC 335
Electrical enclosure protection Coil type 01 = IP40 / Coil type 02-03 = IP65
Standard voltages DC (=) : 12V - 24V
(Other voltages on request)

prefix option	power ratings				operator ambient temperature range (TS) (C°)	replacement coil		type ⁽¹⁾
	inrush ~ (VA)	holding ~ (VA)	hot/cold = (W)	= (W)		= 12 V DC	= 24 V DC	
	SC	-	-	-		4	-10 to + 60	
	-	-	-	9		43005143	43005144	02 (AMX)
	-	-	-	13		43005316	43005317	03 (FNX)

⁽¹⁾ Refer to the dimensional drawings on the following page.

SPECIFICATIONS

tube I.D. (mm)	tube O.D. (mm)	pinch force (daN)	operating pressure differential (bar)				power coil (W)		catalogue number
			min.	max. (PS)		~	=		
				air inert gas (*)	liquids (*)			=	
NO - Normally open									
0,76	1,65	1,2	0	0,8	0,8	-	4	SCH284B009	
1,02	2,16	1,3	0	0,8	0,8	-	4	SCH284B010	
1,57	3,18	0,6	0	0,8	0,8	-	4	SCH284B011	
1,98	3,18	0,9	0	0,8	0,8	-	4	SCH284B012	
2,7	4,9	0,5	0	0,8	0,8	-	9	SCH284A013	
4,8	7,9	2,3	0	0,8	0,8	-	13	SCH284B014	
6,4	9,5	2,4	0	0,8	0,8	-	13	SCH284B015	



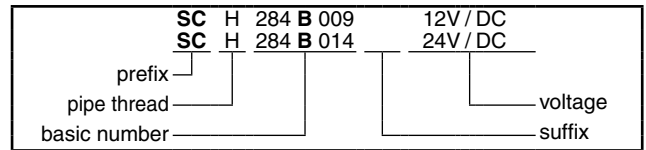
OPTIONS AND ACCESSORIES

- Flexible tubes having to use an external guiding device for optimum support (see dimensions):
 - with an outside diameter lower than 2,2 mm (catalogue numbers SCH284B009 to ..B012)
 - with an outside diameter lower than 3,5 mm (catalogue number SCH284A013)
 - with an outside diameter lower than 6 mm (catalogue numbers SCH284B014 and ..015)
- For use on tubes other than those recommended, contact us
- Plug with visual indication and peak voltage suppression or with cable length of 2 m

INSTALLATION

- The solenoid valves can be mounted in any position without affecting operation. However, for optimum performance it is recommended that they be fitted with the solenoid operator at the top.
- Fixing plate built in between the body and the coil for assembly in a bank on a base plate.
- Flexible tubes are not included in our supply.
- **Do not connect the solenoid valve to the power supply without fitting a flexible tube beforehand**
- Installation/maintenance instructions are included with each valve.

ORDERING EXAMPLES:



DIMENSIONS (mm), WEIGHT (kg)



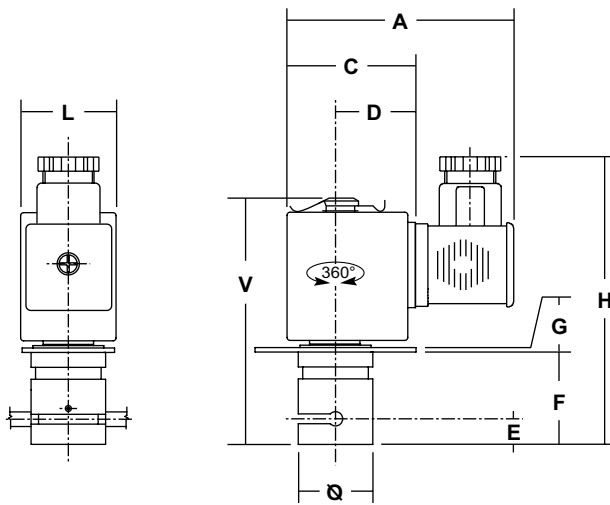
TYPE 01
Prefix "SC" Solenoid
IEC 335 / DIN 43650
IP40

Type 01: SCH284B009/010/011/012

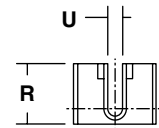
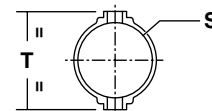


TYPE 02-03
Prefix "SC" Solenoid
IEC 335 / ISO 4400
IP65

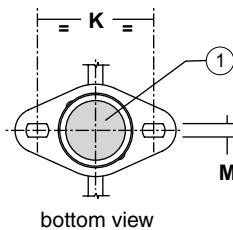
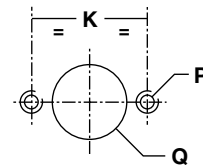
Type 02: SCH284A013
Type 03: SCH284B014/B015



tube guiding device

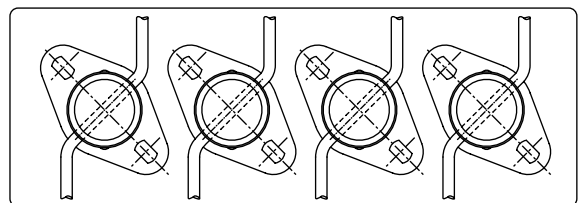


arrangement for wall-fitting



bottom view

example of banked assembly



① Impulse manual operator

type	prefix option	catalogue number	Ø	A	C	D	E	F	G	H	K	L	M	P	Q	R	S	T	U	V	weight ⁽¹⁾	tube guiding device	
																						catalogue number	weight
01	SC	SCH284B009/010/011/012	16	49,5	23,5	15	11	20	1	66	24	17	3,3	M3	16,5	10,7	16	24	2,2	51,2	0,06	C140094	0,005
02	SC	SCH284A013	25	78	43	27	17,5	32	1,5	99	39	32	4,5	M4	25,5	14	25	33	3,2	82,5	0,29	C140095	0,009
03	SC	SCH284B014/B015	30	84	49	28	24,5	43,5	1,5	99	45,5	42	4,5	M4	30,5	24	30	39	6	99	0,45	C140096	0,015

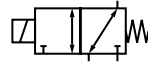
⁽¹⁾ Incl. coil(s) and connectors..



MICRO SOLENOID VALVE

pinch mechanism
for flexible tube
O.D. 1.65 to 9.5 mm

U



3/2
Series
384

FEATURES

- Solenoid valve suitable for cutting off the flow of a fluid by pinch
- For sterile, aseptic, physiological and food applications
- No turbulence when cutting off flow by pinch
- Silent operation
- Full bore output flow compared with a traditional solenoid valve
- Manual pulse control for fitting tube
- A single component in contact with the fluid, i.e. the tube
- Bi-directional flow
- The solenoid valves satisfy all relevant EC directives

GENERAL

Differential pressure See «SPECIFICATIONS» [1 bar =100 kPa]

fluids (*)
air, inert gases, water, oil and liquids

MATERIALS IN CONTACT WITH FLUID

(*) Ensure that the compatibility of the fluids in contact with the materials is verified

Recommended flexible tube VMQ (silicone)
(max. hardness: 50 Shore A)
The silicone tube is not included in our supply

OTHER MATERIALS

Body Aluminium, anodised
Pinch mechanism POM (Graphite-reinforced polyacetal)
Internal parts Stainless steel
Guide tube Nickel-plated brass

ELECTRICAL CHARACTERISTICS

Coil insulation class F
Connector Spade plug (cable Ø 4-6 mm or Ø 6-10 mm)

Connector specification
4 W / 8 W / 6 W (DMX) DIN 43650, 9,4 mm, industry standard B
6 W / 13 W (AMX/FNX) ISO 4400 / EN 175301-803, form A

Electrical safety IEC 335
Electrical enclosure protection Coil type 01 = IP40 / Coil type 02-03 = IP65
Standard voltages DC (=) : 12V - 24V

(Other voltages on request)

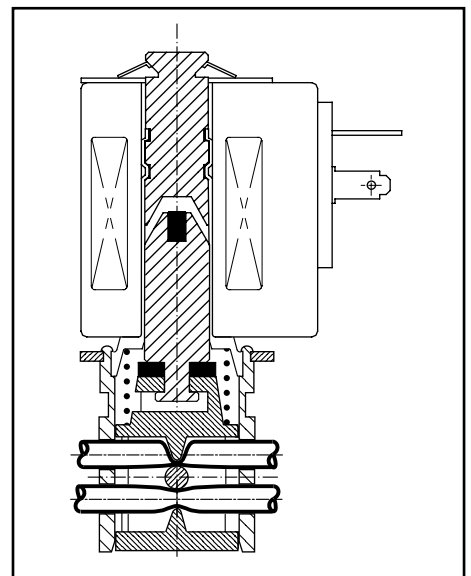
prefix option	power ratings			operator ambient temperature range (TS) (C°)	replacement coil		type ⁽¹⁾
	inrush ~ (VA)	holding ~ (VA)	hot/cold = (W)		= 12 V DC	= 24 V DC	
	SC	-	-		-	4	
	-	-	-	8	500701-001	500701-002	
	-	-	-	6	500701-003	500701-004	
	-	-	-	9	43005143	43005144	
	-	-	-	13	43005316	43005317	

⁽¹⁾ Refer to the dimensional drawings on the following page.

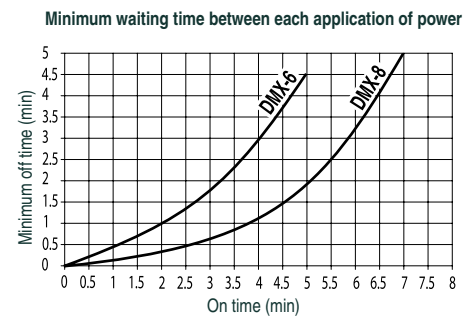
SPECIFICATIONS

tube I.D. (mm)	tube O.D. (mm)	pinch force (daN)	operating pressure differential (bar)		power coil (W)	catalogue number	
			min.	max. (PS)			
				air inert gas (*)			liquids (*)
					~	=	
U - Universal							
0,76	1,65	0,12	0	0,8	-	4	
1,02	2,16	0,18	0	0,8	-	4	
1,57	3,18	0,22	0	0,8	-	8	
1,98	3,18	0,18	0	0,8	-	6	
3,4	4,7	0,4	0	0,8	-	9	
4,8	7,9	0,85	0	0,8	-	13	
6,4	9,5	1,1	0	0,8	-	13	

⁽¹⁾ Observe the minimum of time stated, see graph above.



USE IN INTERMITTENT SERVICE



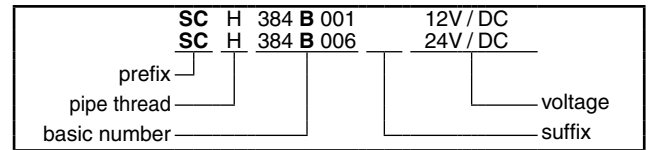
OPTIONS AND ACCESSORIES

- Flexible tubes having to use an external guiding device for optimum support (see dimensions):
 - with an outside diameter lower than 2,2 mm (catalogue numbers SCH384B001 to ..B004)
 - with an outside diameter lower than 3,5 mm (catalogue number SCH384A005)
 - with an outside diameter lower than 6 mm (catalogue numbers SCH384B006 and ..007)
- For use on tubes other than those recommended, contact us
- Plug with visual indication and peak voltage suppression or with cable length of 2 m

INSTALLATION

- The solenoid valves can be mounted in any position without affecting operation. However, for optimum performance it is recommended that they be fitted with the solenoid operator at the top.
- Fixing plate built in between the body and the coil for assembly in a bank on a base plate.
- Flexible tubes are not included in our supply.
- **Do not connect the solenoid valve to the power supply without fitting a flexible tube beforehand**
- Installation/maintenance instructions are included with each valve.

ORDERING EXAMPLES:



DIMENSIONS (mm), WEIGHT (kg)



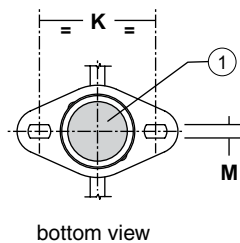
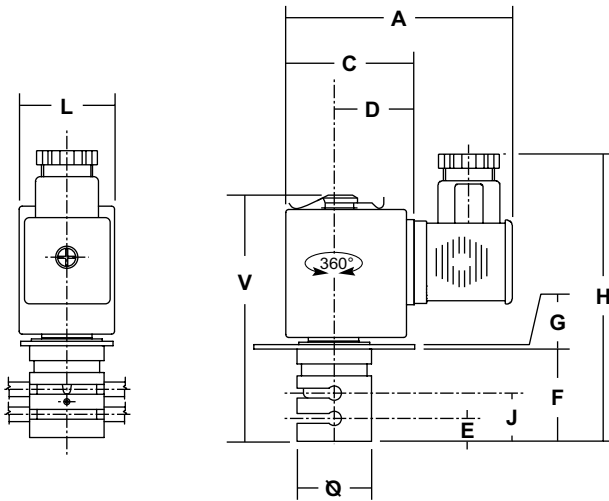
TYPE 01
Prefix "SC" Solenoid
IEC 335 / DIN 43650
IP40

Type 01: SCH384B001/002/003/004

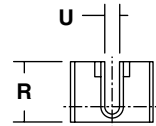
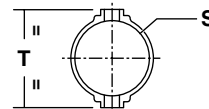


TYPE 02-03
Prefix "SC" Solenoid
IEC 335 / ISO 4400
IP65

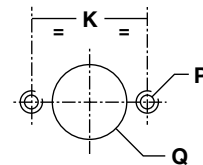
Type 02: SCH384A005
Type 03: SCH384B006/B007



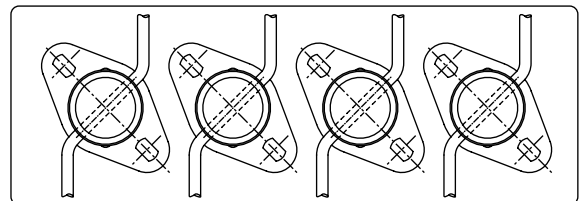
tube guiding device



arrangement for wall-fitting



example of banked assembly



① Impulse manual operator

type	prefix option	catalogue number	Ø	A	C	D	E	F	G	H	K	L	M	P	Q	R	S	T	U	V	weight ⁽¹⁾	tube guiding device	
																						catalogue number	weight
01	SC	SCH384B001/002/003/004	16	49,5	23,5	15	11	20	1	66	24	17	3,3	M3	16,5	10,7	16	24	2,2	51,2	0,06	C140094	0,005
02	SC	SCH384A005	25	78	43	27	17,5	32	1,5	99	39	32	4,5	M4	25,5	14	25	33	3,2	82,5	0,30	C140095	0,009
03	SC	SCH384B006/B007	30	84	49	28	24,5	43,5	1,5	99	45,5	42	4,5	M4	30,5	24	30	39	6	99	0,45	C140096	0,015

⁽¹⁾ Incl. coil(s) and connectors..