



COMPATIBLE BARRIERS AND INTERFACES

Located in safe areas, these barriers and interfaces allow to feed the intrinsically safe solenoid valves located in explosive areas. This equipment must be ordered from its respective manufacturers, specifying that they are intended to feed intrinsically safe solenoid valves: 30215310IAP, II 1 G Ex ia IIC T6 to T4 Ga, II 1D Ex ia IIIC T85°C to T135°C IP65 Da.

INTERFACES			
manufacturer	module type	II 1G Ex ia IIC Ga T6to T4	
		II 1D Ex ia IIIC Da IP6X T85°C to T135°C	
ABB	D0910s	X	
Bartec	17-6143-1001/0000	X	
EMERSON (EPM)	DELTA V S-series IS DO CHARM SE4306T01	X	
G.M. International	D1040Q-2	D1049S	X
	D1042Q-2	D5048S	X
	D1043Q-2	D5049S	X
	D1048S	-	X
Pepperl + Fuchs	KCD0-SD-Ex1.1245	-	X
	KFD0-SD2-Ex2.1245	-	X
	FB-2201	-	X
	FB-2202	-	X
	FB-2203	-	X
	FB-2204	-	X
	FB-2205	-	X
	FB-2212	-	X
	FB 6210B	-	X
	FB 6211B	-	X
	FB 6212B	-	X
Siemens	6ES7132-7RD01-0AB0	-	X
	6ES7132-7RD11-0AB0	-	X
	6ES7132-7RD21-0AB0	-	X
	6ES7132-7GD00-0AB0	-	X
	6ES7132-7GD10-0AB0	-	X
	6ES7132-7GD20-0AB0	-	X
Stahl	9475/12-08-51	9475/32-04-72	X
	9475/22-08-51	9175/10-14-11	X
	9475/12-08-61	9175/20-14-11	X
	9475/22-08-61	9175/10-16-11	X
	9475/12-04-11	9175/20-16-11	X
	9475/12-04-21	9176/10-14-00	X
	9475/22-04-21	9176/20-14-00	X
	9475/12-04-31	9176/10-15-00	X
	9475/32-08-52	9176/20-15-00	X
	9475/32-08-62	9176/10-16-00	X
	9475/33-08-50	9176/20-16-00	X
	9475/33-08-60	9176/10-17-00	X
	9475/32-04-12	9176/20-17-00	X
	9475/32-04-22	-	X
	9001/01-280-100-101	-	X
	9001/01-280-110-101	-	X
	9002/13-280-110-001	-	X
ZENER BARRIERS			
GEORGIN	BZG728+	-	X
	BZG2728+	-	X
	BZG728P+	-	X
	BZG2728P+	-	X
	BZG788+	-	X

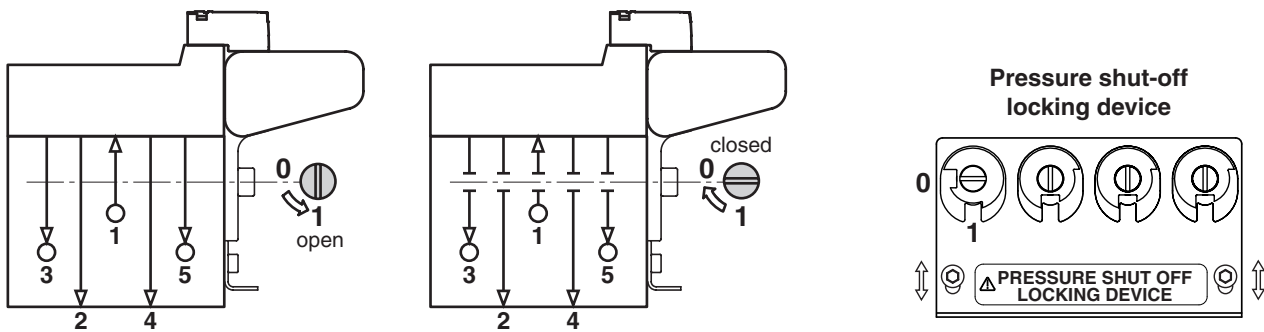
In accordance with the zone classification and the national legislation of each country, apply the certification procedures for the connection of IS-rated products with associated equipment.
 All information subject to change without notice. All responsibility for the use of products from other suppliers and the possible modifications of their characteristics is disclaimed.



PNEUMATIC VALVE ISOLATION

To ensure continued process capability, the pressure shut-offs which are integrated in the subbase allow the removal/replacement of a valve without having to shut off the pressure supply to the island.

⚠
Pay attention to residual pressures



A locking device provides protection from accidental or unauthorised activation of the pressure supply. Under normal operating conditions, an audible leak noise occurs during valve replacement. This leak does not have any adverse effect on the normal operation of the other valves.


CHOICE OF EQUIPMENT

designation	catalogue number
Complete valve island to ATEX (4 monostable 5/2 spool valves + 4 pilot valves 302 IA with impulse-type manual operator)	62201001

Valve island supplied fully assembled in a control cabinet, on request.

SPARE PARTS

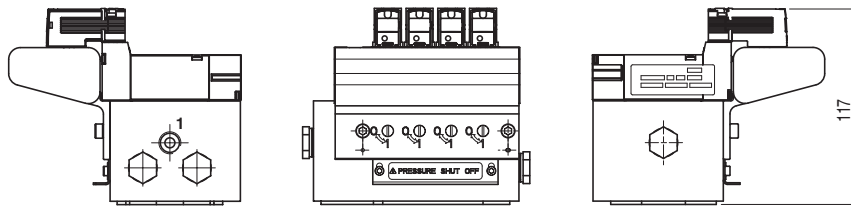
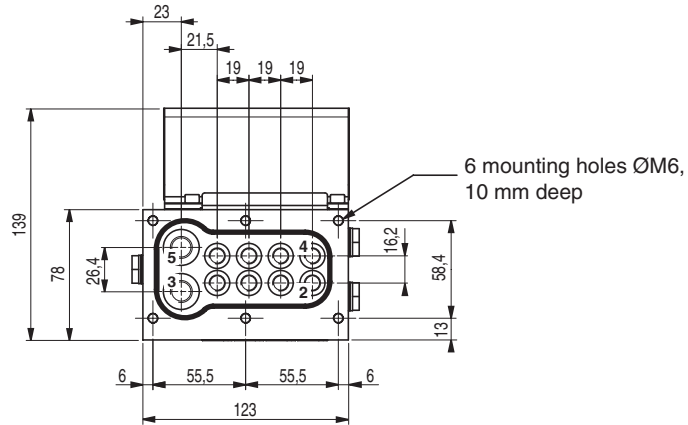
designation	catalogue number
monostable 5/2 spool valve	52290001

DIMENSIONS (mm), WEIGHT (kg) 

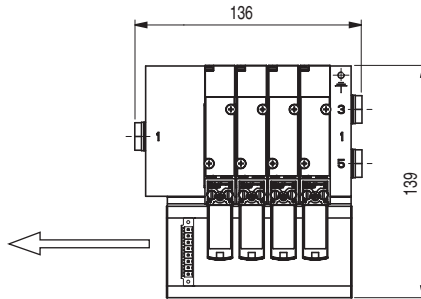
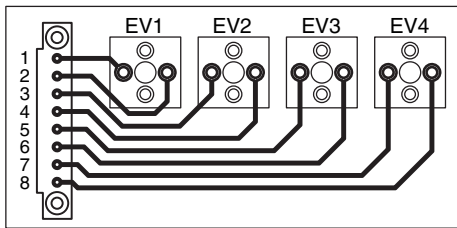


orifice no.	orifice dia.
1-3-5	G 1/4
2-4	G 1/8

weight of valve island
2,3



male connector on valve island
(non-polarised circuit)



CONTROL CABINET ASSEMBLY

