

GENERAL

FLUID	: Air or neutral gas, filtered, lubricated or not
PRESSURE	: 2 to 10 bar (190 pilot) 2 to 12 bar (192 pilot)
AMBIENT TEMPERATURE	: -10°C to +60°C
FLUID TEMPERATURE	: -10°C to +60°C
FLOW (Qv at 6 bar)	: see table below
PILOT PRESSURE	: In external supply, the pressure of the pilot fluid must be at least equal to the fluid pressure

CONSTRUCTION

Body in light alloy
Internal parts in steel and light alloy
Sealing in nitrile (NBR)
Subbases in light alloy



ELECTRICAL CHARACTERISTICS OF PILOTS

Type of sol. valve		Voltages	Consumption		Insulation class	Protection degree	Electrical connection
			Inrush	Hold			
Series 190	~	24V - 48V - 115V - 230V / 50 Hz	9VA	4VA (3W)	F	IP 65	spade plug size 30 connector, ISO4400/EN175301-803, form A, rotatable by 90°
	=	24V - 48V	3 W				
Series 192	~	24V - 48V - 115V - 230V / 50 Hz	12VA	6VA(4W)	F	IP 65	
	=	24V - 48V	5 W				

The solenoid valve 190 is dual voltage (24V ~, 12V =) (48V ~, 24V =) (115V ~, 48V =) (230V ~, 115V =).

SPECIFICATIONS

Pipe size	Orifice size (mm)	Flow		Fluid pressure ⁽¹⁾ (bar)		2 catalogue numbers		(M)	References	
		at 6 bar l/min (ANR)	coeff. KV	mini	maxi	VALVE	PILOT with standard connector			
G 1/2	14	3000	42	2	10/12	26690017	19000005 19000006 19000017 19201001 19201002 19201003	× ● ▼ × ● ▼	G/DP 403	
G 1	22	9100	130	2	10/12	26790013*			+	GDM/DP 405
G 1 1/2	40	31500	450	2	10/12	26890297*				GDM/DP 407

(M) Type of manual operator on pilot(s): × : without ● : maintained ▼ : impulse

(1) 10 bar (with pilot 190) - 12 bar (with pilot 192)

* This equipment is always supplied with an intermediate amplifier for valves 3/2 - Ø 8 mm, series 261 (cat no. **26190067**)

SUBBASES

For a valve with mounting face	CHARACTERISTICS			catalogue number	References
	Subbase type	Pipe size	Connection type		
CNOMO 06.05.72/73	SINGLE	G 1/2	Side ports	35700018	P/DP 403
AFNOR E49062/63	JOINABLE			35700038	PJ/DP 403
CNOMO 06.05.74	SINGLE	G 1	Side ports	35700020	P/DP 405
AFNOR E49064	JOINABLE			35700040	PJ/DP 405
CNOMO 06.05.75	SINGLE	G 1 1/2	Bottom ports	35700032	P/DP 407

OPTIONS : See overleaf

OPTIONS

- Other voltages or frequency 60 Hz, on request
- 190 series solenoid pilot valve with solenoid head for dusty explosive atmospheres (SG), zone 22
- Solenoid valve, intrinsically safe (contact us)
- Connector with cable outlet, 2 m: cat no. **88122612**
- Solenoid valve with connector and built-in visual indicator and protection

ORDERING

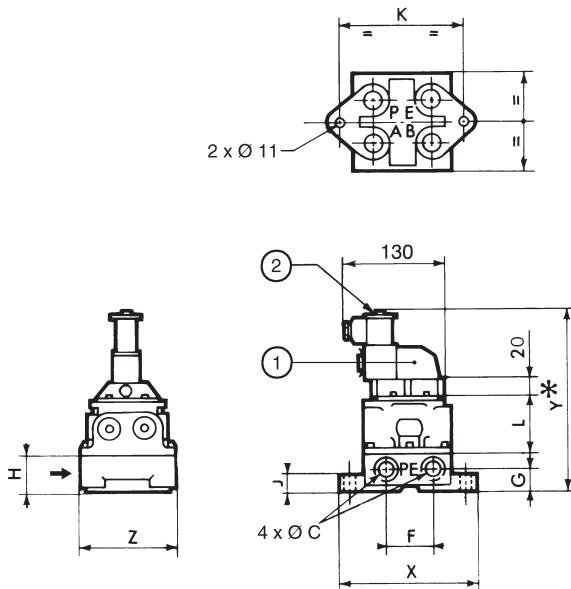
The valve, solenoid pilot and subbase must be ordered separately and the quantity and code of each component must be indicated. These items are delivered disassembled.

DIMENSIONS AND WEIGHTS OF SUBBASE MOUNTED POPPET VALVES

VALVE ON SINGLE SUBBASES

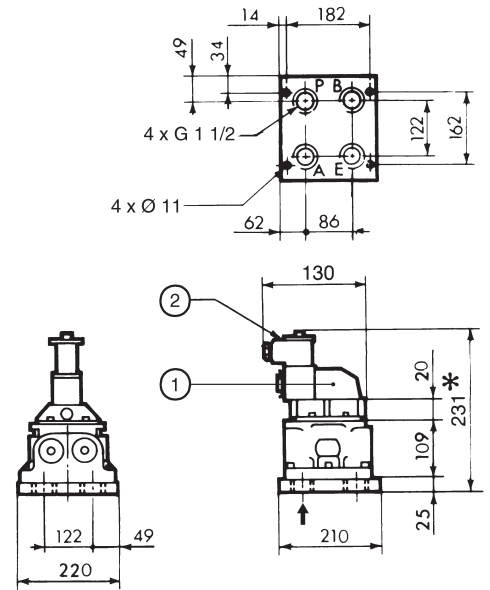
G 1/2 - G 1 (series 266 - 267)

series	266	267
Ø C	G 1/2	G 1
F	57	82
G	26	35
H	45	63
J	20	20
K	133	170
L	63	78
X	162	198
Y	205	238
Z	111	130
Weights (kg)	2,5	4,3



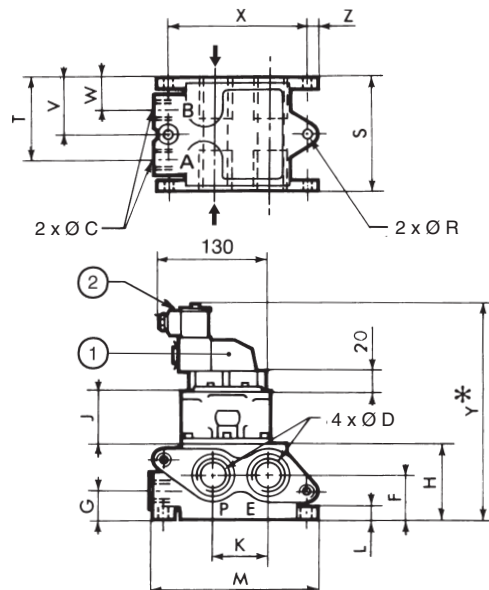
G 1 1/2 (series 268)

Weight : 8,160 kg



VALVE ON JOINABLE SUBBASES (Series 266 - 267)

series	266	267
Ø C	G 1/2	G 1
Ø D	G 3/4	G 1 1/4
F	36	56
G	25	37
H	65	95
J	63	78
K	49	66
L	14	20
M	152	203
R	11	14
S	114	149
T	85	108
V	57	77
W	29	46
X	130	172
Y	225	270
Z	11	14
Weights (kg)	3	5,9



- ① Pilot 190 or 192
- ② Connector rotatable by 90°
- * + 15 mm for connector clearance