

GENERAL

FLUID	: Air or neutral gas, filtered, lubricated or not
PRESSURE	: 2 to 10 bar
TEMPERATURE	: -10°C to +60°C
FLOW (Qv at 6 bar)	: see table below
PILOT PRESSURE	: in external supply, the pilot pressure must be equal or superior to the pressure in the valve

CONSTRUCTION

Body: light alloy
 Sealings: polyurethane (PUR) and nitrile (NBR)
 Mating surface to CNOMO 06-05-71/72 and AFNOR NF E49061/062
 Internal parts: steel, light alloy and acetal resin (POM)



ELECTRICAL CHARACTERISTICS OF PILOTS

Type of sol. valve		Voltages	Consumption		Insulation class	Protection degree	Electrical connection
			Inrush	Hold			
Series 189	~	24V - 48V - 115V - 230V / 50 Hz	6VA	3,5VA(2,5W)	F	IP 65	spade plug connector size 22 EN 175301-803, industry standard form B (11 mm), rotatable by 180°
	=	24V - 48V	2,5W				
Series 190	~	24V - 48V - 115V - 230V / 50 Hz	9VA	4VA(3W)	F	IP 65	spade plug size 30 connector, ISO4400/EN175301-803, form A, rotatable by 90°
	=	24V - 48V	3W				

The solenoid valve 190 is dual-voltage (24V~,12V=) (48V~,24V=) (115V~,48V=) (230V~, 115V=)

SPECIFICATIONS

Pipe size	Orifice size (mm)	Flow		Fluid pressure (in bar)		2 catalogue numbers		(M)	Reference	
		at 6 bar l/min (SRA)	KV coefficient	min.	max.	VALVE	+ PILOT with standard connector			
Subbase-mounted 1/4"	8	700	10	2	10	26190069	+	18900001	●	G/DMP 401
								19000005	×	
								19000006	●	
								19000017	▼	
Subbase-mounted 3/8"	12	1750	25	2	10	26290354	+	18900001	●	G/DMP 402
								19000005	×	
								19000006	●	
								19000017	▼	

(M) Type of manual operator on pilot(s): × : without ● : maintained ▼ : impulse

SUBBASES

Valve mating surface	DESIGNATION			catalogue number	Reference
	Type of subbase	Pipe size	Type of port		
CNOMO 06.05.71 AFNOR E49061 G 1/4	SINGLE	G 1/4	Side	35700003	P/DMP 401
	JOINABLE	G 1/4	Bottom	35700008	PJ01/DMP 401
CNOMO 06.05.72 AFNOR E49062 G 3/8	SINGLE	G 3/8	Side	35700004	P/DMP 402
	JOINABLE	G 3/8	Bottom	35700011	PJ02/DMP 401-402

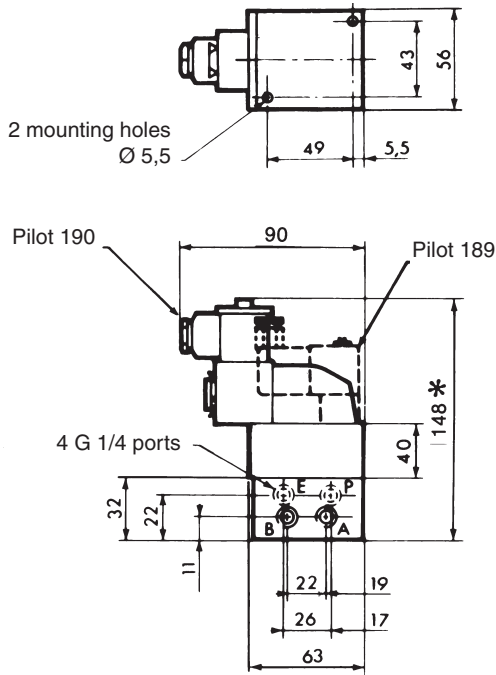
OPTIONS

- Other voltages and 60 Hz on request
- Solenoid pilot valves 189-190-192 with connector and built-in visual indicator and protection
- Solenoid pilot valve 189 [with explosion-proof Ex mb coil](#)
- [Solenoid pilot valves 189/190 with solenoid head for dusty explosive atmospheres \(SG\), zone 22](#)
- External solenoid valve supply plate, code : **88122201** (G 1/8)

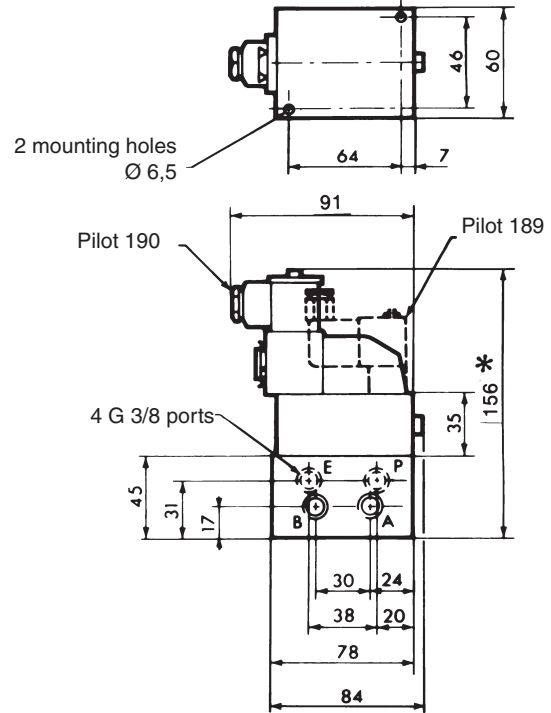
DIMENSIONS AND WEIGHTS

VALVE ON SINGLE SUBBASE

G 1/4 ports
Subbase: cat no. **35700003**
Weight: 0,750 kg

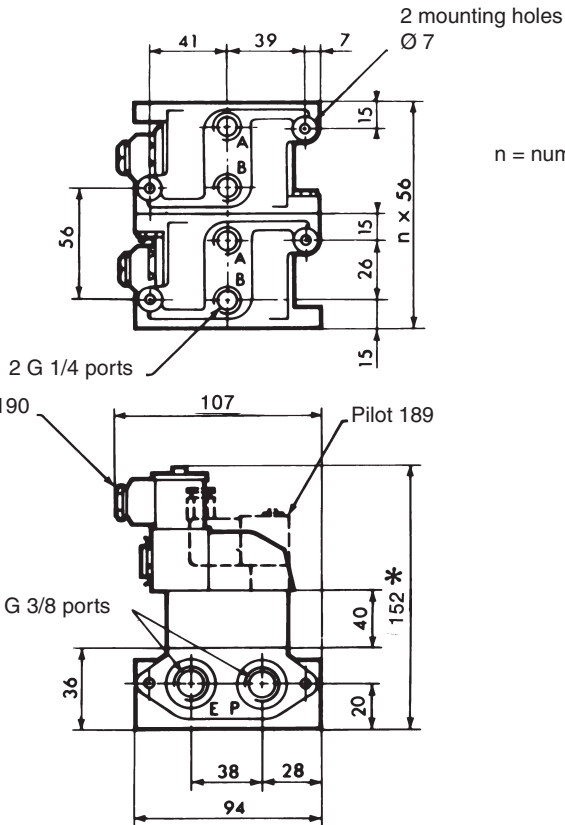


G 3/8 ports
Subbase: cat no. **35700004**
Weight: 1,050 kg

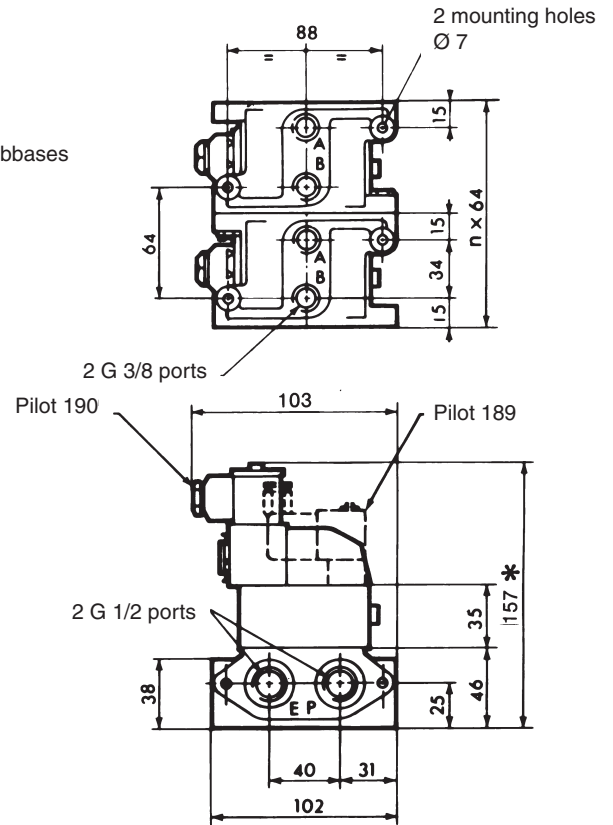


VALVE ON JOINABLE SUBBASE

G 1/4 ports
Subbase: cat no. **35700008**
Weight: 0,700 kg



G 3/8 ports
Subbase: cat no. **35700011**
Weight: 0,950 kg



n = number of subbases

* + 15 mm for connector removal
+ 16 mm for external solenoid valve supply plate