

JOUCOMATIC

ISO 15407-1 - VDMA 24563 subbase-mounted body

SPOOL VALVES

solenoid air operated

CNOMO pilots, size 15



2x3/2-5/2-5/3

Series

539

Type

ISO size 01 (26 mm)

FEATURES

- The different electrical connections (DIN or metallic M12) and low power consumption of the standard pilots allow the valves to be used in a variety of applications.
- 2x3/2 versions are adapted for valve piloting solutions

GENERAL

Fluid Air or neutral gaz, filtered, lubricated or not
Operating pressure 1 to 10 bar (with internal supply to pilot)
 -0,950 bar to +10 bar (with external supply to pilot)
Ambient temperature -10 °C to +60 °C
Flow (Qv at 6 bar) 1150 l/min (ANR)
 - conforming to ISO 6358 C = 4,40 x 10⁻⁸ m³/s.Pa (sonic conductance)
 b = 0,28 (absolute static pressure)
Subbase Single or joinable subbases

CONSTRUCTION

SPOOL VALVES

Body Injected aluminium
Top cover, end covers PAA (polyarylamide)
Internal parts POM (polyacetal) and aluminium
Seals NBR (nitrile)

PILOTS (see page P502B)

Solenoid valves 3/2 NC, **series 302**, pad mounting CNOMO E06.36.120N (size15)

ELECTRICAL CHARACTERISTICS

voltages		consumption		insulation class	protection degree	electrical connection
~	=	~	=			
24V, 115V	12V, 24V	1,2 VA	1,1 W	F	IP 65	spade plug size 15 connector, DIN 43650, 9,4 mm, industry standard B, rotatable by 90°
230V	24V	1,6 VA	1,5 W			
-	24V	-	1,15 W	F	IP 67	M12 connection + LED and protection

SPECIFICATIONS

function symbol*	operators solenoid air operated pilot (14) return (12)	pilot pressure (bar)		spool valve		2 catalogue numbers		(W)	(M)
		min.	max.	internal supply	external supply	solenoïd valve quantity and cat. n°	with connector size 15 or M12 connection		
2x 3/2	NC-NC	2,5	10	53992126	53992135	+ 2x	30211109 (T15) 30211110 (T15) 30211121 (T15) 30211122 (T15)	1,1	▼
	NO-NO	2,5	10	53992123	53992132			1,1	●
	NC-NO	2,5	10	53992125	53992134			1,5	▼
5/2	spring return	2,5	10	53992121	53992149	+ 1x	30212109 (M12) 30212110 (M12)	1,5	●
	differential return	2,5	10	53992026	53992148			0,65	▼
	solenoid differential return	2,5	10	53992122	53992150	+ 2x	to see our complete range of pilot 302 (P502B)	0,65	●
	solenoid air return	1	10	53992027	53992127				
5/3	pressure held W1	2,5	10	53992028	53992129	+ 2x			
	pressure applied W2	2,5	10	53992029	53992130				
	pressure release W3	2,5	10	53992030	53992131				

(M) Type of manual operator on pilot(s) ● : maintained ▼ : impulse

* internal supply

When ordering, please specify in addition to the basic solenoid valve catalogue number:

- the type of current: voltage / frequency of the solenoid valve
- to be inserted after the basic solenoid valve catalogue number: --A (~) or --D (=)

Examples : **53992126 + 2 x 30211110--A 230V AC**

OPTIONS see page 3

All leaflets are available on: www.asconumatics.eu

00393GB-2011/R02 Availability, design and specifications are subject to change without notice. All rights reserved.

E



JOUCOMATIC

ISO 15407-1 - VDMA 24563 subbase-mounted body
with integrated M12 connection

SPOOL VALVES
solenoid air operated



2x3/2-5/2-5/3

Series

539

Type

ISO size 01 (26 mm)



FEATURES

- The different electrical connections (DIN or metallic M12) and low power consumption of the standard pilots allow the valves to be used in a variety of applications.
- 2x3/2 versions are adapted for valve piloting solutions

GENERAL

Fluid Air or neutral gas, filtered, lubricated or not
Operating pressure 1 to 10 bar (with internal supply to pilot)
 -0,950 bar to +10 bar (with external supply to pilot)
Ambient temperature -10°C to +60°C
Flow (Qv at 6 bar) 1150 l/min (ANR)
 - conforming to ISO 6358 C = 4,40 x 10⁻⁸ m³/s.Pa (sonic conductance)
 b = 0,28 (absolute static pressur)
Subbase Single or joinable subbases



CONSTRUCTION

SPOOL VALVES

Body Injected aluminium
Top cover, end covers PAA (polyarylamide)
Internal parts POM (polyacetal) and aluminium
Seals NBR (nitrile)

PILOTS (see leaflet P502B)

Solenoid valves 3/2 NC, **series 302**, pad mounting CNOMO E06.36.120N (15x15)

ports	
1	= Pressure supply
3-5	= Exhausts
2-4	= Outlets
82/84	= Pilot exhaust

ELECTRICAL CHARACTERISTICS

SV type	voltage	consumption	insulation class	protection degree	electrical connection
series 302	24V =	1,15 W	F	IP 67	centralised M12 connection CNOMO E03.62.520N on socket with 3 male pins

SPECIFICATIONS

function symbol*		operators solenoid air operated pilot (14) return (12)	pilot pressure (bar)		catalogue number spool valve with series 302 pilot(s)		
			min.	max.	internal supply	external supply	(M)
2x 3/2	NC-NC		2,5	10	53902155	53902154	▼
			2,5	10	53902072	53902069	▼
5/2			2,5	10	53902066	53902063	▼
			2,5	10	53902084	53902081	▼
			1	10	53902090	53902087	▼
			2,5	10	53902096	53902093	▼
5/3			2,5	10	53902102	53902099	▼
			2,5	10	53902108	53902105	▼
			2,5	10	53902096	53902093	▼

(M) Type of manual operator on pilot(s) : ▼ : impulse

* internal supply

SUBBASES: see page 6
ACCESSORIES: see page 10

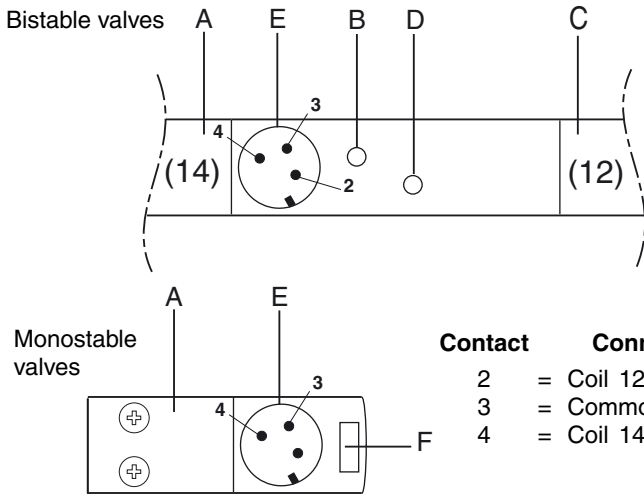
M12 CONNECTORS

Straight M12 connector with 5 female contacts, Ø6 to 8mm cable entry, catalogue number: **88100256**
 Straight M12 connector with 5 female contacts, cable length 5m, catalogue number: **88130212**

OPTIONS

- Material and solenoid pilot valve for use in potentially **explosive atmospheres** caused by gases or dusts - ATEX directive 94/9/EC (consult our ATEX - X019 catalogue)
- Version with collectable exhausts, consult us

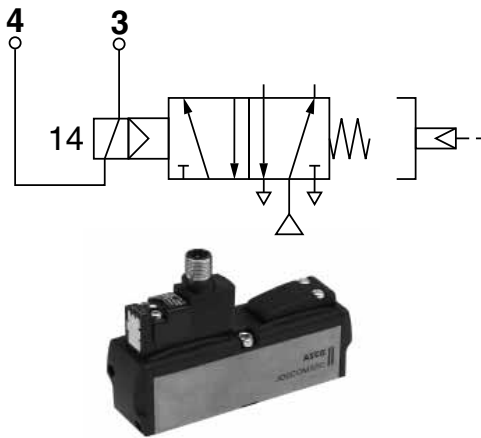
DISPLAY AND CONNECTION OF M12 CONNECTOR



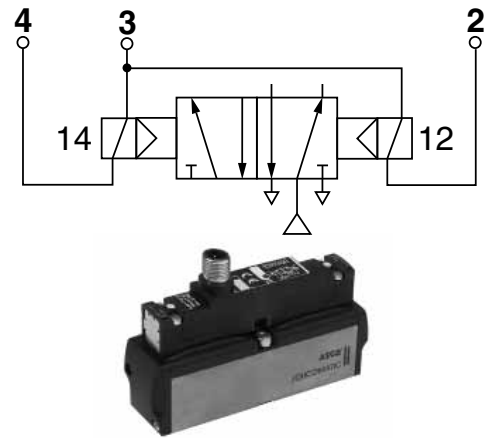
- A: Operator pilot valve (14)
- B: Yellow LED indicating energization of pilot valve 14 (operator)
- C: Return pilot valve (12), bistable or 5/3
- D: Yellow LED indicating energization of pilot valve 12 (return)
- E: Bulkhead connector, 3 male contacts, CNOMO E03.62.520N, for electrical connection of two pilot valves.
- F: Yellow LED indicating energization of pilot valve.

NOTE: The built-in electrical protection is provided by bi-directional Transil diodes. Assignment is as per ISO/CD20401 standard.

■ **Monostable spool valves**



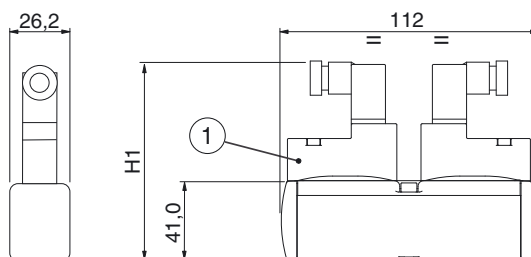
■ **Bistable and 5/3 spool valves**



DIMENSIONS (mm), WEIGHT (kg)

weight valve	
monostable	bistable
0,210	0,260

pilot	dimension H1
size 15	91
M12	80
integrated M12	80



00393GB-2011/R01 Availability, design and specifications are subject to change without notice. All rights reserved.



FEATURES

- Reliability: steel spool & sleeve technology with long service life
- Robust valve design, particularly recommended for use in high-temperature or dirty environments

GENERAL

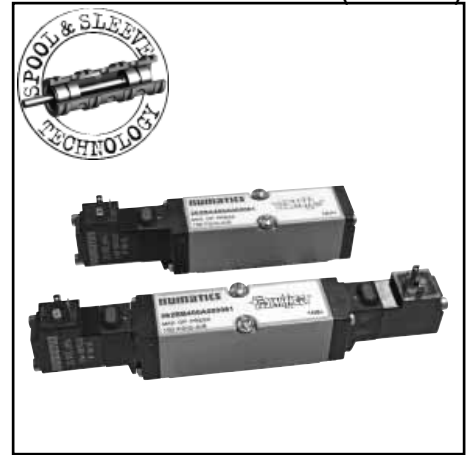
Fluids	Air or neutral gas, filtered, lubricated or not
Operating pressure	1 to 16 bar (with internal supply to pilot) -0,950 to 16 bar (with external supply to pilot)
Ambient temperature	-20°C to +80°C
Flow (Qv at 6 bar)	800 l/min
Base	ISO 15407-1 - VDMA 24563
Subbase	Single or joinable subbases

CONSTRUCTION

Body	Aluminium, anodised, painted grey
Internal parts	Stainless steel, POM (polyacetal), aluminium
Static seals	NBR (nitrile)

PILOTS

Solenoid coil	Encapsulated
Electrical equipment	Conforming to VDE 0580
Seals	NBR (nitrile)



ELECTRICAL CHARACTERISTICS

	voltage	consumption	insulation class	protection degree	electrical connection
~	115V - 50/60Hz	4,3 /3,6 VA	F	IP 65	spade plug size 15 connector, DIN 43650, 9,4 mm, industry standard B, rotatable by 90°
=	24V	1,9 W			

SPECIFICATIONS

	function symbol	operators pilot (14) solenoid air operated return (12)	port size	flow		catalogue number without connector ⁽¹⁾	(M)
				at 6 bar l/min	Kv m³/h		
5/2		spring return	subbase G 1/4	800	0,75	262BA400A0000YY	▼
		solenoid air operated return				262BB400A0000YY	▼
5/3		pressure held W1				262BB600A0000YY	▼
		pressure applied W2				262BB700A0000YY	▼
		pressure released W3				262BB500A0000YY	▼

(M) Type of manual operator on pilot(s): ▼ : impulse

(1) For connectors see page P935-3

	voltage	YY
	24VDC	61
	115 VAC	30

OPTIONS (upon request)

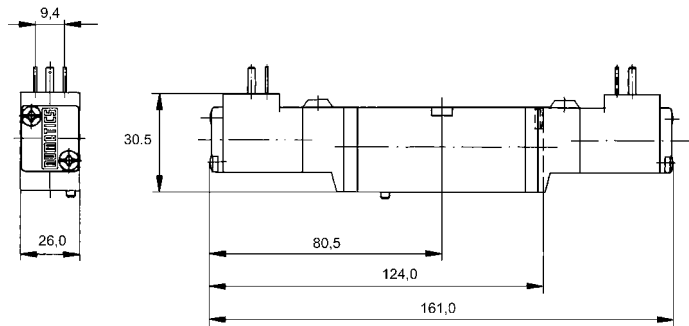
- Central M12 connector
- Solenoid coil form C, ISO 15217/DIN 43650, 8 mm

SUBBASES: see page 6

ACCESSORIES: see page 10

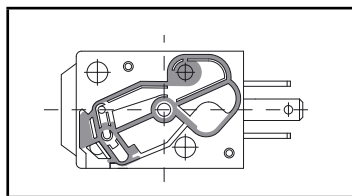
DIMENSIONS (mm), WEIGHT (kg):

weight valve	
monostable	bistable
0,106	0,144

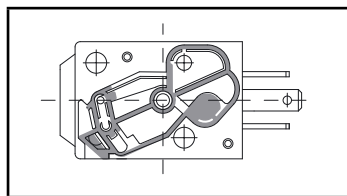


INTERNAL/EXTERNAL PILOT AIR SUPPLY

The valves are equipped with a selector seal allowing to choose between internal and external pilot air supply



Internal supply



External supply

