

### FEATURES

- Control device for **PWM** (pulse-width modulated) proportional solenoid valve control
- Designed for open-loop, closed-loop and **double-loop** (cascaded) control
- Suitable for the control of flow, pressure, temperature, force etc.
- Integrated display and LEDs
- Control parameters adjustable via software (DigiCom, USB interface)
- Auto-Adapt function/button for automatic adjustment of the CONTROL<sup>D</sup> control device to the control valve

A special feature of the CONTROL<sup>D</sup> is the "ASCO-DigiCom" software supplied for optimum adjustment over PC. Setpoint and feedback values can be viewed at the same time. Other functions are valve diagnostics, parameter setting and maintenance.



### GENERAL

**Ambient temperature** -20°C to +50°C

### CONSTRUCTION

**Body** PA (polyamide)

**Degree of protection** IP20

**Electrical connection** Pluggable terminal block (0,08 - 1,5 mm<sup>2</sup>)

**Mounting** DIN-EN 50022 rail

### ELECTRICAL CHARACTERISTICS

**Supply voltage** (U<sub>N</sub>) 24 V DC ±10 %, max. ripple 10 %  
or 12 V DC +15 % -5 %, max. ripple 10 %

**Max. current of proportional solenoid valve** 2 A

**Setpoint input** 0 - 10 V DC, 0 - 20 mA, 4 - 20 mA

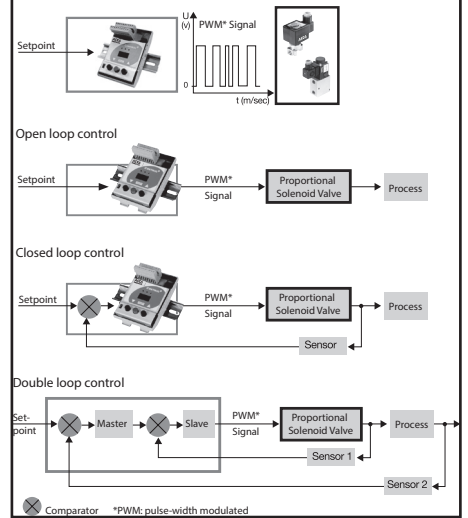
**Sensor input** 0 - 10 V DC, 0 - 20 mA, 4 - 20 mA

**Feedback output** 0 - 10 V, 0 / 4 - 20 mA

**Ramp** ON/OFF

**Adjustable switching frequency** adjustable between 0,1 and 20 seconds  
20 to 2000 Hz

### Control<sup>D</sup> offers 3 control modes



### SPECIFICATIONS

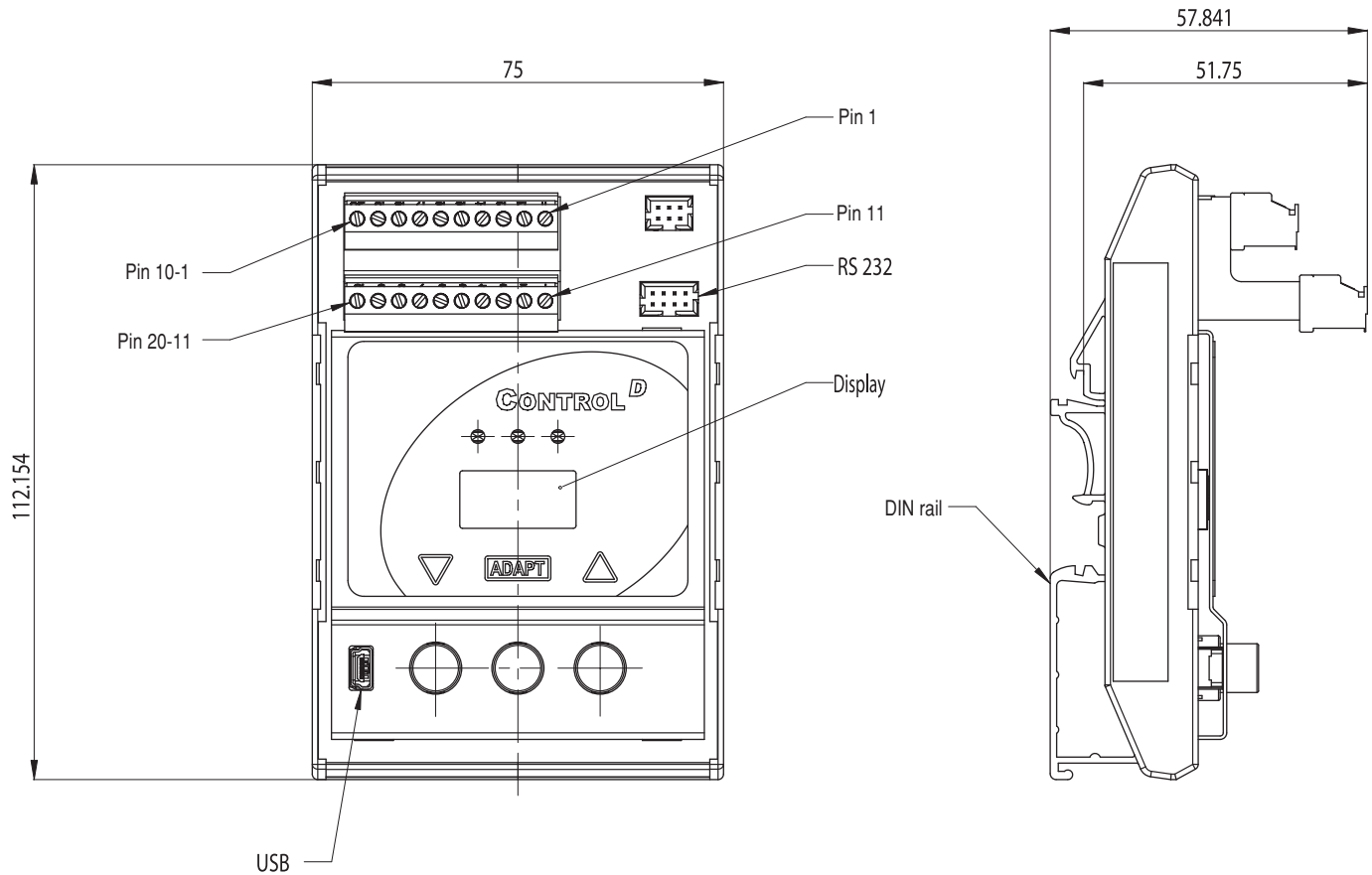
description	catalogue number
CONTROL <sup>D</sup> control device - 12 V DC	60300117
CONTROL <sup>D</sup> control device - 24 V DC	60300118

### PROPORTIONAL VALVES SUITABLE FOR CONTROL APPLICATIONS

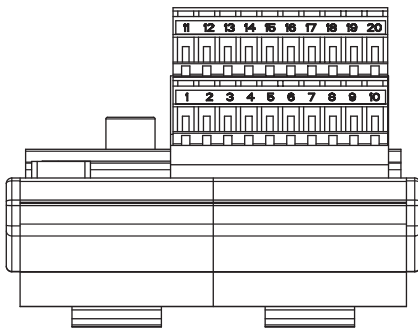
description	series	illustration	catalogue page
3-port proportional valve for pressure control	602		see " <a href="#">Proportional Technology</a> " on: <a href="http://www.asco.com">www.asco.com</a>
Posiflow proportional solenoid valves	202-203		See " <a href="#">Proportional Technology</a> " on: <a href="http://www.asco.com">www.asco.com</a>

### DIMENSIONS (mm), WEIGHT (kg)

weight: 0,153 kg



### CONNECTOR PINNING



pin	description	pin	description
1	V DC IN/ + supply	11	Setpoint
2	GND IN/ ground	12	GND setpoint
3	Protective earth PE	13	Digital input
4	Frequency input	14	GND Digital input
5	Sensor supply voltage +	15	Valve / coil connection
6	Analog input 1	16	GND valve
7	GND sensor supply voltage	17	Digital output
8	Sensor supply voltage +	18	GND Digital output
9	Analog input 2	19	GND Analog output
10	GND sensor supply voltage	20	Analog output

### ACCESSORIES

description	catalogue number
"ASCO-DigiCom" CONTROL <sup>D</sup> software on CD-ROM (supplied with the controller)	88100893
USB cable for CONTROL <sup>D</sup> to PC connection (to be ordered separately)	88100894