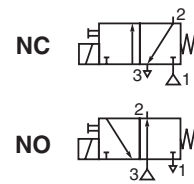




MICRO SOLENOID VALVES

direct operated, **Large Flow**
pad-mounting body
for subbase M5



3/2
Series
188
Type
Micro 10

GENERAL

Fluid	Air or inert gas, non-lubricated, filtered at 25 µm ISO 8573-1: 2010 [6:4:4]
Operating pressure	10 bar max.
Ambient temperature	+5°C to +50°C
Flow (Qv at 6 bar)	See «SPECIFICATIONS»
Switching time	10 ms

CONSTRUCTION

Body	PBT (polybutylene terephthalate)
Internal parts	Stainless steel synthetic material
Seals	FPM (fluoroelastomer)



ELECTRICAL CHARACTERISTICS

voltage ± 10 % (other voltages on request)	power ratings ¹⁾		insulation class	degree of protection	electrical connection
	inrush	holding			
24V =	3,2 W	1,3 W	F	IP40	X1, X2, X3, X4, X5 *see Electrical Connection Type
12 V =					

The solenoid valves are designed for continuous operation within the maximum ambient temperature limits.

¹⁾ The valves are provided with power save electronics and LED which switch to holding power after 100 msec.

*Electrical Connection Type

X1 = type 1, horizontal, distance between contacts 5,08 mm

X2 = type 2, vertical, distance between contacts 5,08 mm

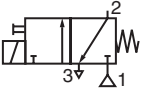
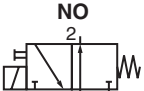
X3 = type 3, horizontal, distance between contacts 2,54 mm

X4 = type 4, vertical, distance between contacts 2,54 mm

X5 = type 5, two leads 0,5 m long, 0,25 mm²

Type 1,2,3,4,5 with LED, protection and power save electronics.

SPECIFICATIONS

symbol	orifice size (mm)		flow		operating pressure (bar)		consumption (W)	catalogue number
	1 → 2	2 → 3	at 6 bar l/min (ANR)	coefficient Kv m ³ /h	min.	max.		
	1,0	1,0	13	0,012	0	10	1,3	R188B213XXV11XX
	1,3	1,3	29	0,027	0	6	1,3	R188B214XXV11XX
	1,6	1,6	42	0,039	0	3,5	1,3	R188B215XXV11XX
	1,0	1,0	13	0,012	0	8	1,3	R188B223XXV11XX
	1,3	1,3	29	0,027	0	4	1,3	R188B224XXV11XX
	1,6	1,6	42	0,039	0	1,5	1,3	R188B225XXV11XX

00233GB-2016/R02
Availability, design and specifications are subject to change without notice. All rights reserved.

ORDERING

15-DIGIT PRODUCT CODE

R **188** **B** **1** **1** **1** **XX** **1** **0** **1** **XX**

Fluid Connection Type

R = Pad Mount

Product Series

188 = Series 188 Micro 10

Revision

B = Micro 10, Revision B (grey)

Coil Size & Power-Save

2 = 10 mm with power-save

Valve Type

1 = 3/2 NC

2 = 3/2 NO

Valve Orifice

3 = 1,0 mm

4 = 1,3 mm

5 = 1,6 mm

Voltage

F1 = 24 VDC

F3 = 12 VDC

Manual Override

1 = without manual override

Fastening Screws

0 = without screws

1 = with metric screws M1,7x12,5

2 = with selftapping screws KB18x14

Sealing Material

V = FPM

Electrical Connection Type

X1 = Type 1, horizontal 5,08 mm


X2 = Type 2, vertical 5,08 mm

X3 = Type 3, horizontal 2,54 mm

X4 = Type 4, vertical 2,54 mm

X5 = Type 5, 2 leads 0,5 m x 0,25 mm²

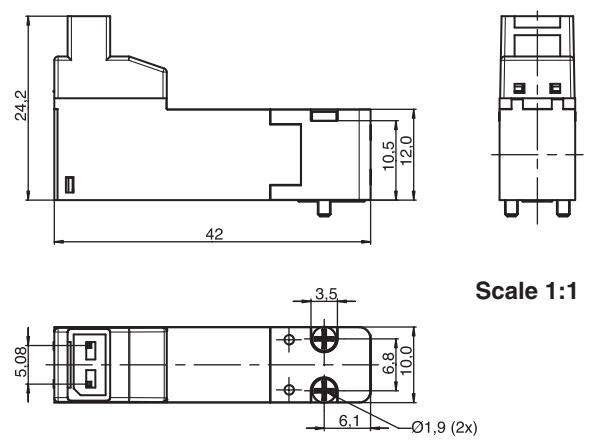
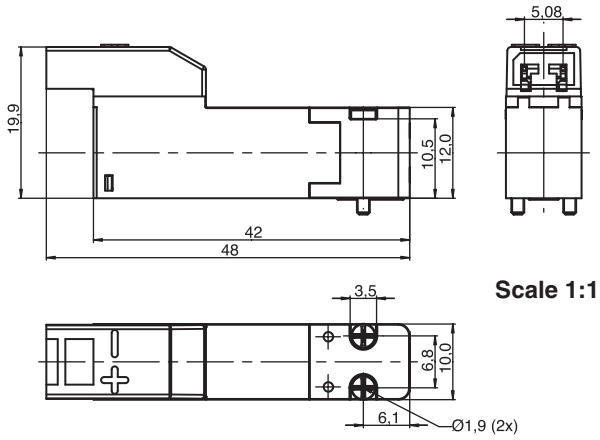
ORDERING EXAMPLE: R188B213X1V11F1 = pad mount, series 188, Micro 10 Revision B (grey), with power-save, 3/2 NC, orifice 1,0 mm, Type 1, FPM, M 1,7 x 12,5, without manual override, 24 VDC

DIMENSIONS (mm), WEIGHT (kg) 

weight
0,0017

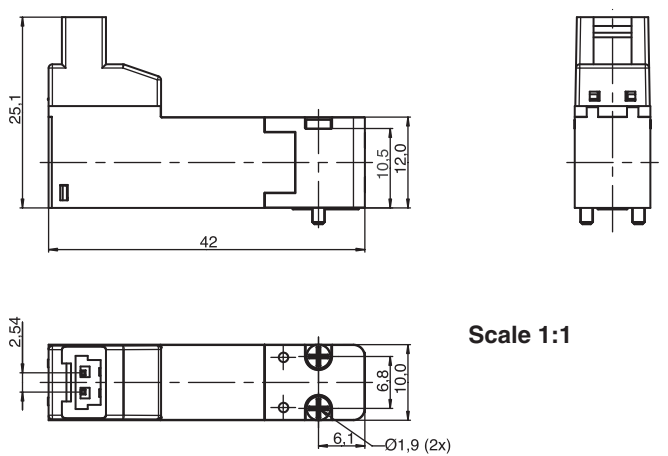
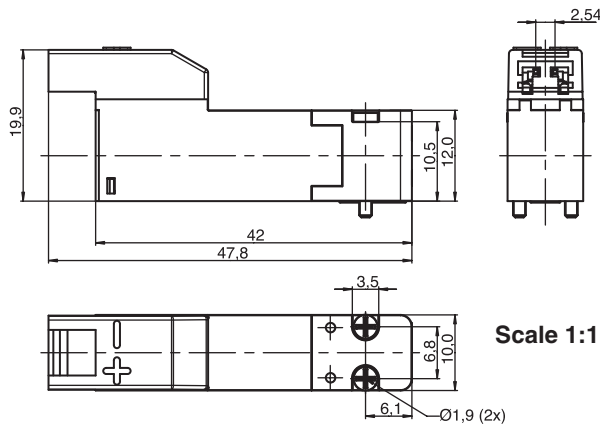
type 1

type 2



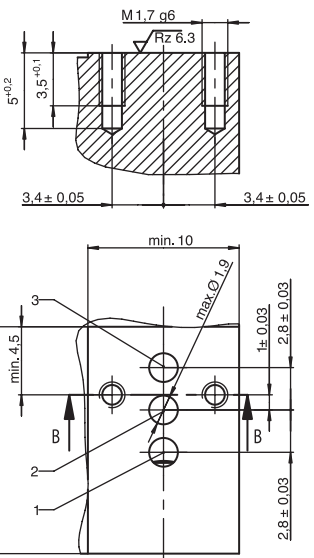
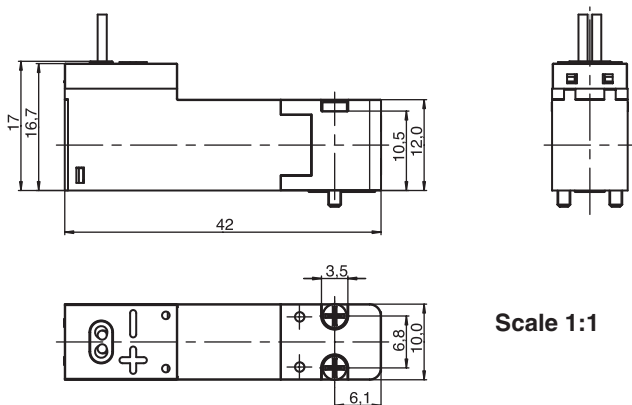
type 3

type 4



type 5

flange facing

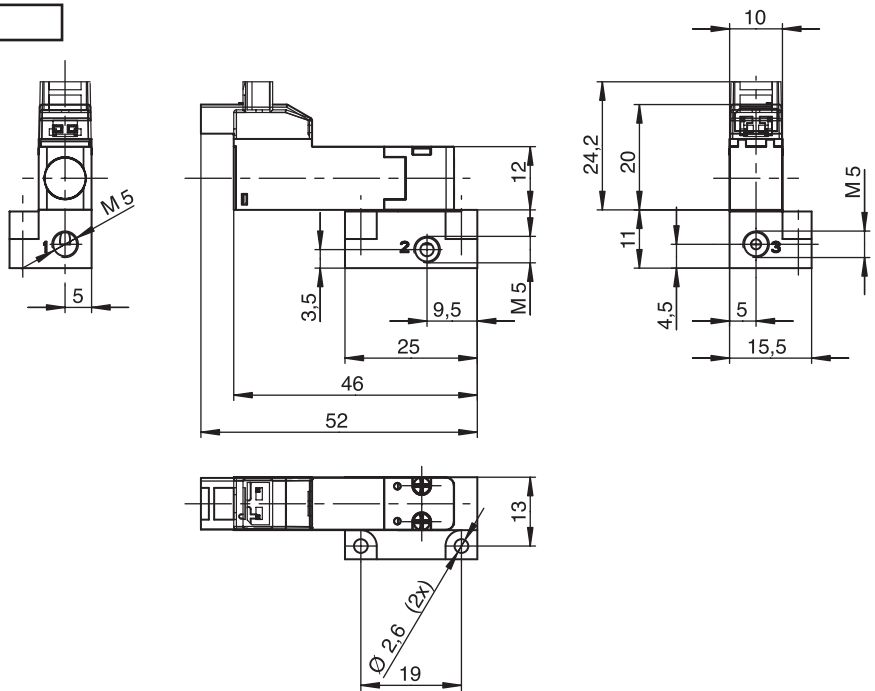


00233GB-2016/R01
Availability, design and specifications are subject to change without notice. All rights reserved.

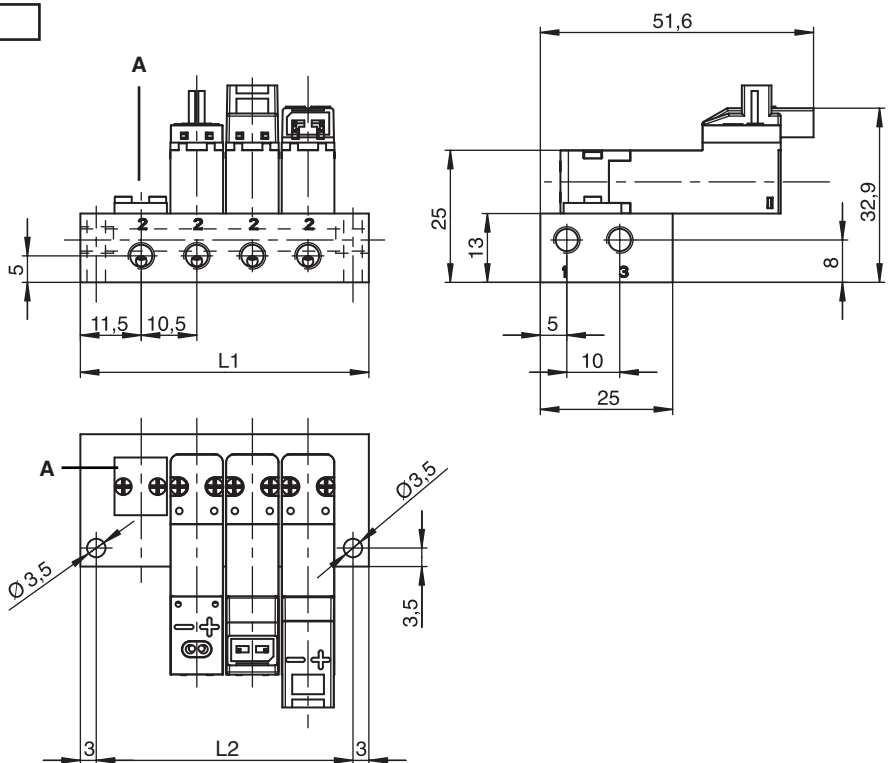
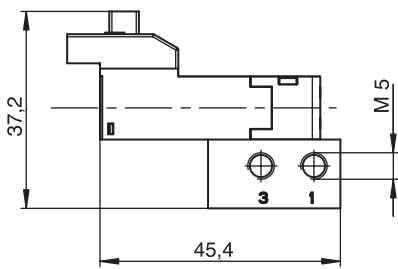
DIMENSIONS (mm), WEIGHT (kg) (kg)

solenoid valve mounted on single subbase

number of valves	subbase catalogue number*	weight
1	35300207	0,027



solenoid valve mounted on multiple subbase



number of valves	subbase catalogue number*	length		weight
		L1	L2	
2	35300198	35,7	29,7	0,066
3	35300199	46,2	40,2	0,091
4	35300200	56,7	50,7	0,116
5	35300201	67,2	61,2	0,141
6	35300202	77,7	71,7	0,167
7	35300203	88,2	82,2	0,191
8	35300204	98,7	92,7	0,216
9	35300205	109,2	103,2	0,242
10	35300206	119,7	113,7	0,268

A: Blanking plate, catalogue number: 513697-001

* The connectors must be ordered separately, please indicate the quantity and one of the following codes:

Connector, 2 wires

Distance between contacts 5,08 mm - length 0,5 m
 - length 1,5 m
 - length 3 m

Distance between contacts 2,54 mm - length 0,5 m
 - length 1,5 m
 - length 3 m

- catalogue number: **88118801**
- catalogue number: **88118802**
- catalogue number: **88118803**
- catalogue number: **88118806**
- catalogue number: **88118807**
- catalogue number: **88118808**

