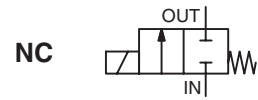




# SOLENOID VALVES

direct operated  
for low pressure gaseous fluids  
1/8 to 3/4



2/2  
Series  
040

## FEATURES

- Aluminium bodied low pressure valves designed to provide maximum flow
- Solenoid valves for gas pilot control on industrial power boilers and low pressure air and gas control on gas-fired ovens and furnaces
- Direct lift solenoid valves have a resilient soft seating for absolute tight shut-off on low pressures
- The solenoid valves do not require a minimum operating pressure
- Downstream tap for leak check purpose
- The solenoid valves satisfy all relevant EU Directives

## GENERAL

**Differential pressure** See «SPECIFICATIONS» [1 bar =100 kPa]  
**Response time** 5 - 40 ms

fluids (*)	temperature range (TS)	seal materials (*)
air, gas	-40°C to +90°C	NBR (nitrile)



## MATERIALS IN CONTACT WITH FLUID

(\*) Ensure that the compatibility of the fluids in contact with the materials is verified

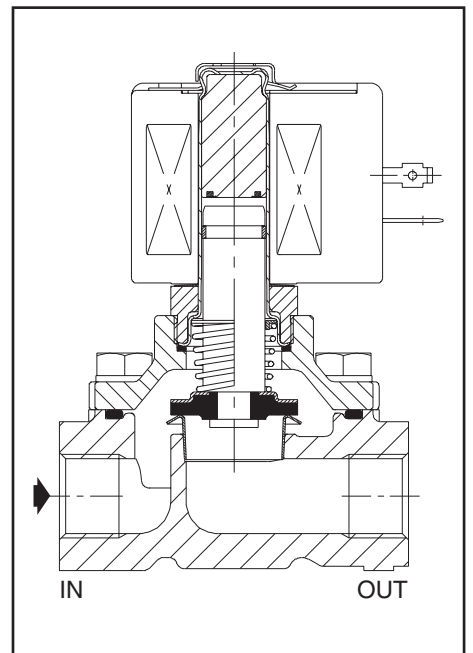
<b>Body</b>	Aluminium
<b>Core tube</b>	Stainless steel
<b>Core and plugnut</b>	Stainless steel
<b>Springs</b>	Stainless steel
<b>Seat</b>	Aluminium
<b>Seal</b>	NBR
<b>Disc</b>	NBR (low temperature)
<b>Riderring</b>	PTFE
<b>Core guide</b>	POM
<b>Shading coil</b>	Copper

## ELECTRICAL CHARACTERISTICS

**Coil insulation class** F  
**Connector** Spade plug (cable Ø 6-10 mm)  
**Connector specification** ISO 4400 / EN 175301-803, form A  
**Electrical safety** IEC 335  
**Electrical enclosure protection** Moulded IP65 (EN 60529)  
**Standard voltages** AC (~) : 24V - 48V - 115V - 230V / 50 Hz  
(Other voltages and 60 Hz on request)

prefix option	power ratings			operator ambient temperature range (TS) (C°)	replacement coil		type <sup>(1)</sup>	
	inrush	holding			~	=		
	~ (VA)	~ (VA)	~ (W)		= (W)	=		
SC	34	15,6	6	-	-40 to +75	400325-117	-	01
	55	23	10,5	-	-40 to +75	400425-117	-	02

<sup>(1)</sup> Refer to the dimensional drawings on the following page.



## SPECIFICATIONS

pipe size	orifice size	flow coefficient Kv		min.	operating pressure differential (bar)		power coil (W)		catalogue number
					max. (PS)				
					air/gas (*)				
NPT	(mm)	(m³/h)	(l/min)		~	=	~	=	~
<b>NC - Normally closed</b>									
1/8	9	0,9	15	0	1	-	6	-	SCB040H006
1/4	9	0,9	15	0	1	-	6	-	SCB040H007
3/8	9	1	16,7	0	1	-	6	-	SCB040H008
3/8	19	3,3	55	0	0,15	-	10,5	-	SCB040A021
1/2	19	4,6	76,7	0	0,15	-	10,5	-	SCB040A022
3/4	19	8,1	135	0	0,15	-	10,5	-	SCB040A023

00112GB-2017/R01  
Availability, design and specifications are subject to change without notice. All rights reserved.

All leaflets are available on: [www.asco.com](http://www.asco.com)

Combustible Gas & Oil - 7

### OPTIONS

- Waterproof enclosure with embedded screw terminal coil according to protection class IP67, CEE-10
- Explosionproof enclosures for use in zones 1/21-2/22, categories 2-3 to ATEX Directive 2014/34/EU ([www.asco.com](http://www.asco.com))
- Electrical enclosures according to "NEMA" standards are available
- Mounting brackets, suffix MB
- Other pipe connections are available on request
- Connector with visual indication and peak voltage suppression or with cable length of 2 m ([www.asco.com](http://www.asco.com))

### INSTALLATION

- The solenoid valves can be mounted in any position without affecting operation
- Solenoid valves have 2 mounting holes in body
- Pipe connection identifier is B = NPT (ANSI 1.20.3)
- Installation/maintenance instructions are included with each valve

### SPARE PARTS KIT

catalogue number	spare parts kit no.	
	~	=
SCB040H006/H007/H008	<b>C314692</b>	-
SCB040A021/A022/A023	<b>C306633</b>	-

- Not available.

### ORDERING EXAMPLES:

SC	B	040	H	006	230V / 50 Hz
SC	B	040	A	021	115V / 50 Hz


prefix — SC  
 pipe thread — B  
 basic number — 040  
 suffix — H 006 / A 021  
 voltage — 230V / 50 Hz / 115V / 50 Hz

### ORDERING EXAMPLES KITS:

C306633
---------

basic number — C306633

### DIMENSIONS (mm), WEIGHT (kg)



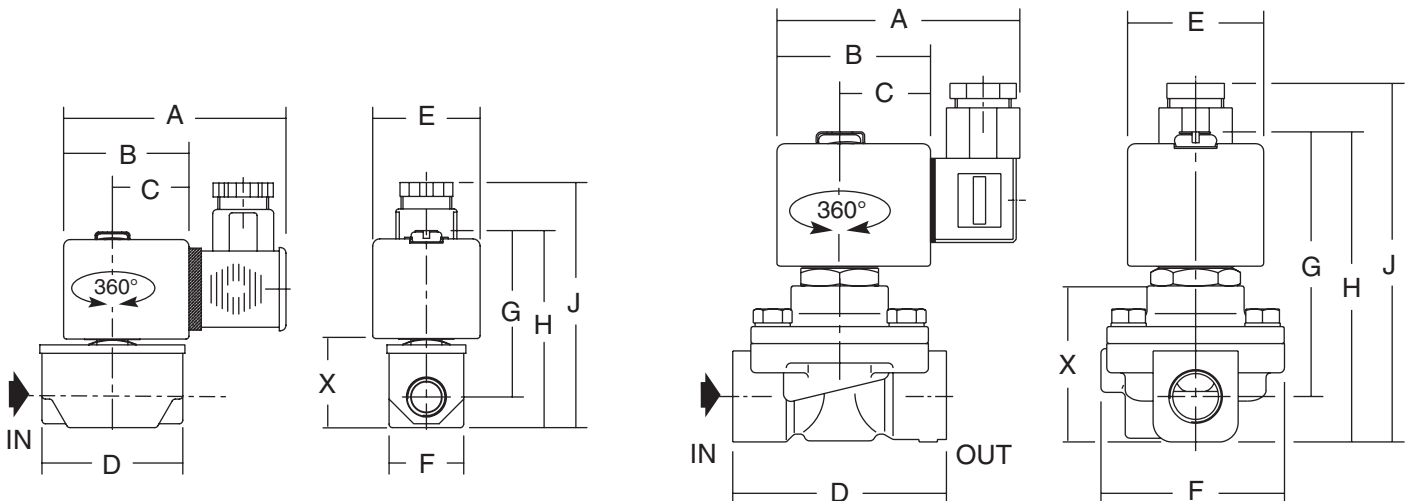
**TYPE 01**  
Prefix "SC" Solenoid  
Epoxy moulded  
IEC 335 / ISO 4400  
IP65

**Type 01: SCB040H006/H007/H008**



**TYPE 02**  
Prefix "SC" Solenoid  
Epoxy moulded  
IEC 335 / ISO 4400  
IP65

**Type 02: SCB040A021/A022/A023**



type	prefix option	catalogue number	A	B	C	D	E	F	G	H	J	X	weight <sup>(1)</sup>
01	SC	SCB040H006/H007/H008	75	45	27	48	39	48	68	81	98	23	0,4
02	SC	SCB040A021/A022	80	50	30	70	45	58	88	102	119	51	0,6
		SCB040A023	80	50	30	84	45	58	92	112	129	55	0,7

<sup>(1)</sup> including coil and connector.