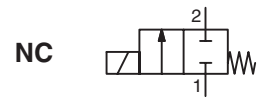




SOLENOID VALVES

direct operated
multiple manifold sub-bases
1/8



2/2
Series
256

FEATURES

- Very small size and easy assembly
- Mixing or distributing function
- AC/DC interchangeability of the solenoid without disassembling the valve
- Quick disassembly of core tube for easy maintenance of internal parts
- Standard disc seal made of FPM suitable for a wide range of operating temperatures and compatible with many fluids
- Compliance with UL and CSA standards
- The solenoid valves satisfy all relevant EU directives

GENERAL

Differential pressure See «SPECIFICATIONS» [1 bar = 100 kPa]
Maximum viscosity 40 cSt (mm²/s)
Response time 5 - 10 ms

fluids (*)	temperature range (TS)	seal materials (*)
air, inert gas, water, oil	-10°C to +100°C	FPM (fluoroelastomer)

MATERIALS IN CONTACT WITH FLUID

(*) Ensure that the compatibility of the fluids in contact with the materials is verified

Manifold body	Brass
Core tube	Stainless steel
Core and plugnut	Stainless steel
Springs	Stainless steel
Seat	Brass
Seals	FPM
Disc	FPM
Shading coil	Copper

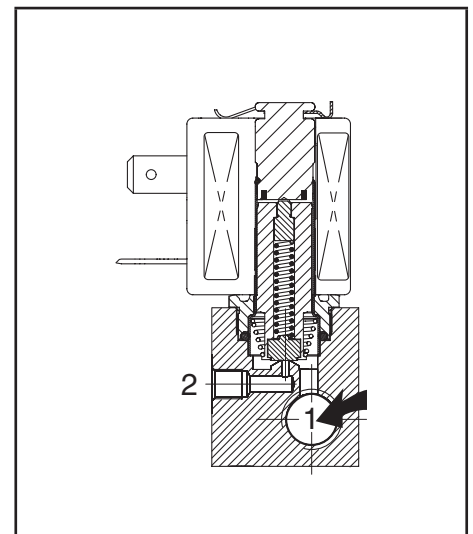
ELECTRICAL CHARACTERISTICS

Coil insulation class F
Connector Spade plug (cable Ø 6-8 mm)
Connector specification DIN 43650, 11 mm, norma industrial B
Electrical safety IEC 335
Electrical enclosure protection Moulded IP65 (EN 60529)
Standard voltages ⁽²⁾ DC (=) : 24V - 48V
 (Other voltages and 60 Hz on request) AC (~) : 24V - 48V - 115V - 230V / 50 Hz

prefix option	power ratings			operator ambient temperature range (TS) (C°)	replacement coil		type ⁽¹⁾	
	inrush ~	holding ~	hot/cold =		~	=		
	(VA)	(VA) (W)	(W)		230 V/50 Hz	24 V DC		
SC	12	6	4	5 / 6,9	-10 to +60	400127-197	400127-142	01

⁽¹⁾ Refer to the dimensional drawings on the following page.

⁽²⁾ Duty cycle: 50% (30 min)



SPECIFICATIONS

pipe size	orifice size	flow coefficient Kv		operating pressure differential (bar)				power coil (W)		Number of valves	catalogue number	options				
				min.	max. (PS)		EPDM									
					air, water (*)	oil (*)										
G	(mm)	(m ³ /h)	(l/min)	~	=	~	=	~	=	~/=						
NC - Normally closed																
1/8 ⁽³⁾	1,6	0,08	1,33	0	20	12	20	12	4	6,9	2	SCG256B819V	E	-	-	
											3	SCG256B820V	E	-	-	
											4	SCG256B821V	E	-	-	
											5	SCG256B822V	E	-	-	
											6	SCG256B823V	E	-	-	
	2,4	0,13	2,16	0	12	4	12	4	4	4	6,9	2	SCG256B855V	E	-	-
												3	SCG256B856V	E	-	-
												4	SCG256B857V	E	-	-
												5	SCG256B858V	E	-	-
												6	SCG256B859V	E	-	-
											7	SCG256B860V	E	-	-	
											8	SCG256B861V	E	-	-	
											9	SCG256B862V	E	-	-	
											10	SCG256B863V	E	-	-	

⁽³⁾ Pipe size port 2: M5

OPTIONS

- Valves can also be supplied with EPDM (ethylene-propylene) seals and discs. Use the appropriate optional suffix letter for identification
- Flying leads coil, use prefix L (e.g.: LG256B822V)
- Oxygen service with seals and disc in FPM, suffix NV, example: SCG256B822NV
- NC, orifice sizes 1,2 mm and 2 mm
- NO, orifice size 1,6 mm
- Stainless steel manifold bodies, NC and NO, on request
- Other pipe connections are available on request
- Plug with visual indication and peak voltage suppression or with cable length of 2 m (see Solenoids, Coils & Accessories section)

INSTALLATION

- The solenoid valves can be mounted in any position without affecting operation
- Multiple manifold solenoid valves have 2 mounting holes in body
- Pipe connection identifier is G = G (ISO 228/1)
- Installation/maintenance instructions are included with each valve

SPARE PARTS KIT

catalogue number	spare parts kit no.	
	~	=
all	C140262V	C140262V

⁽¹⁾ Standard prefixes/suffixes are also applicable to kits.

ORDERING EXAMPLES:

SC	G	256	B	821	V	230V / 50 Hz
SC	G	256	B	826	E	115V / 50 Hz
SC	G	256	B	857	NV	24V / DC
SC	G	256	B	863	V	230V / 50 Hz

prefix — pipe thread — basic number — voltage — suffix

ORDERING EXAMPLES KITS:

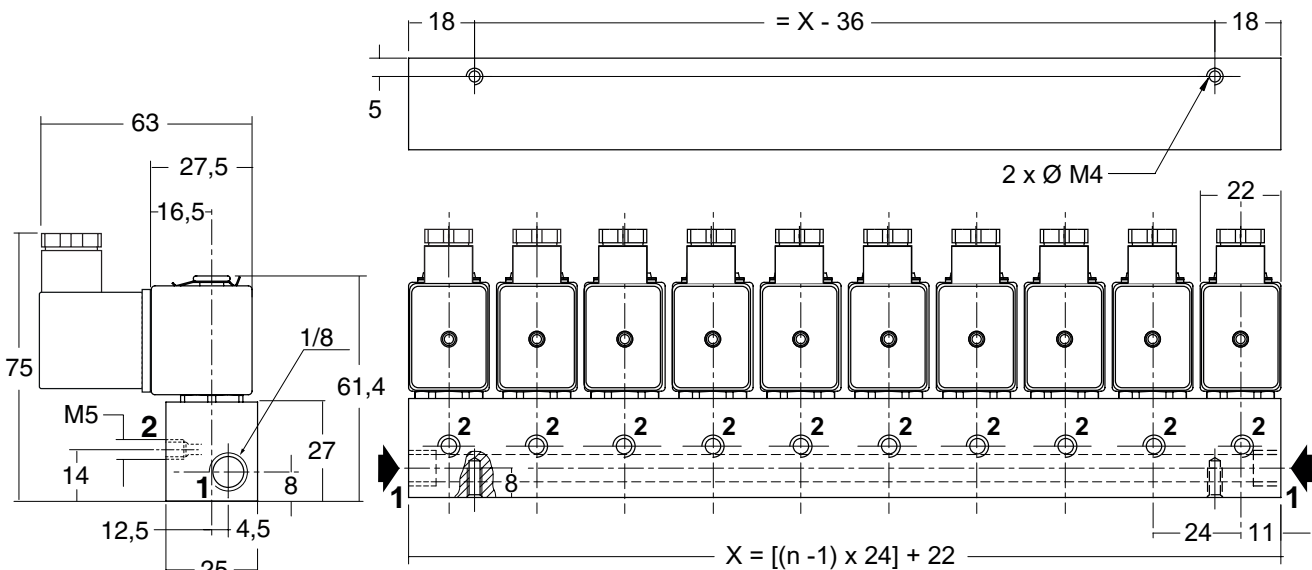
	C140262	V⁽¹⁾
basic number	C140262	E — suffix

DIMENSIONS (mm), WEIGHT (kg)



TYPE 01

Prefix "SC" Solenoid
Epoxy moulded
Integrated in manifold
IEC 335 / DIN 43650, IP65



type	prefix option	weight ⁽²⁾								
		number of solenoid valves (n)								
01	SC	0,321	0,426	0,531	0,636	0,741	0,846	0,951	1,056	1,161

⁽²⁾ Incl. coil(s) and connector(s)