

### FEATURES

- Control of high-pressure fluids
- NAMUR interface pilot for 1/4" solenoid spool valve
- Coaxial-type valve designed for high flow rates with low pressure loss
- Compatible with viscous or abrasive gases and liquids
- Suitable for high pressure applications
- Valve without actuator gland designed for long service life
- Vacuum operation up to 10<sup>-4</sup> mbar
- The valves satisfy article 3.3 of Pressure Equipment Directive 97/23/EC

### GENERAL

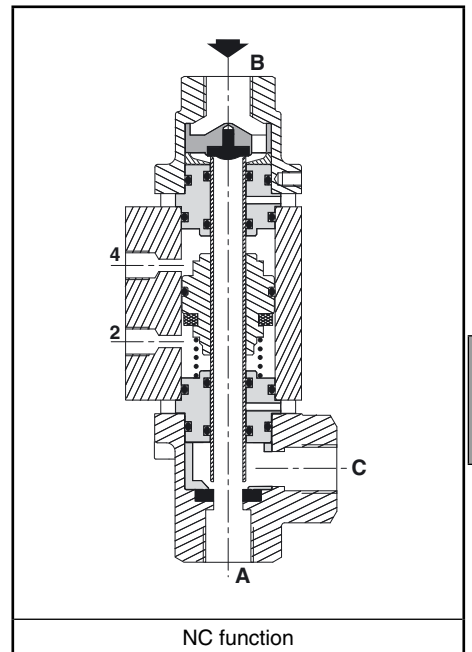
<b>Differential pressure</b>	[1 bar = 100 kPa]
pilot 3/2 NC	A → B : 40 bar, B → A : 12 bar
pilot 5/2	A → B : 40 bar, B → A : 40 bar
<b>Ambient temperature range</b>	- 20°C to + 100°C
<b>Maximum viscosity</b>	
pilot 3/2 NC	500 cSt (mm <sup>2</sup> /s)
pilot 5/2	6000 cSt (mm <sup>2</sup> /s)
<b>Pilot fluid</b>	Air or oil
<b>Pilot pressure</b>	4 to 8 bar
<b>Pilot fluid temperature</b>	0°C to +60°C
<b>Response time</b> (air operation ΔP = 4 bar)	3/8 1/2 3/4 1
opening (ms)	30 35 40 50
closing (ms)	50 60 60 70

fluids (*)	temperature range (TS)	seal materials (*)
air and gas groups 1 & 2 water, oil, liquids groups 1 & 2	- 20°C to + 100°C	FPM (fluoroelastomer) PTFE

### MATERIALS IN CONTACT WITH FLUID

(\*) Ensure that the compatibility of the fluids in contact with the materials is verified

<b>Body</b>	Brass
<b>Internal parts</b>	Brass
<b>Tube</b>	Stainless steel
<b>Seals</b>	FPM
<b>Disc seal</b>	PTFE



### SPECIFICATIONS

pipe size	DN	flow coefficient Kv				operating pressure differential (bar)				catalogue number	
						max. (PS)					
		A → B		A → C		min.	air/gas/water/oil (*)				
(m <sup>3</sup> /h)	(l/min)	(m <sup>3</sup> /h)	(l/min)	B → A	B → A <sup>(1)</sup>		A ↔ C	A → B			
<b>NC - Normally closed</b>											
3/8	10	2,2	36,6	1,6	26,6	0	12	40	40	40	<b>G387A101</b>
1/2	15	5,2	86,6	3,6	60	0	12	40	40	40	<b>G387A102</b>
3/4	20	7,5	125	5,6	93,3	0	12	40	40	40	<b>G387A103</b>
1	25	12,2	203,3	10,2	170	0	12	40	40	40	<b>G387A104</b>
<b>NO - Normally open</b>											
3/8	10	2,2	36,6	1,6	26,6	0	12	40	40	40	<b>G387A105</b>
1/2	15	5,2	86,6	3,6	60	0	12	40	40	40	<b>G387A106</b>
3/4	20	7,5	125	5,6	93,3	0	12	40	40	40	<b>G387A107</b>
1	25	12,2	203,3	10,2	170	0	12	40	40	40	<b>G387A108</b>

<sup>(1)</sup> Pilot 5/2.

### OPTIONS

- ATEX 94/9/EC versions for use in zones 1/21-2/22, categories 2-3, use suffix GD2 (example: G387A101GD2)
- Magnetic position detectors (MR) "T profile":
  - with 2 m PVC lead, 3 wires 0,14 mm<sup>2</sup>, stripped and tinned ends, catalogue number: **88100737**
  - with 5 m PVC lead, 3 wires 0,14 mm<sup>2</sup>, stripped and tinned ends, catalogue number: **88100738**
  - with 0,15 m PVC lead + plug-in male connector Ø M8 - 3 pins, catalogue number: **88100739**
  - with 0,15 m PVC lead + screw-type male connector Ø M12 - 3 pins, catalogue number: **88100740**

### INSTALLATION

- The valves can be mounted in any position without affecting operation
- Valves have two mounting holes in body
- Pipe connection identifier is G = G (ISO 228/1)
- Installation/maintenance instructions are included with each valve

### SPARE PARTS KITS & ACCESSORIES

catalogue number	spare parts kit no.	mounting bracket no.
G387A101/105	<b>C140208</b>	<b>C140130</b>
G387A102/106	<b>C140210</b>	<b>C140131</b>
G387A103/107	<b>C140212</b>	<b>C140132</b>
G387A104/108	<b>C140214</b>	<b>C140133</b>

### ORDERING EXAMPLES:

	G 387 A 101
	G 387 A 105
	G 387 A 109
pipe thread	_____
basic number	_____

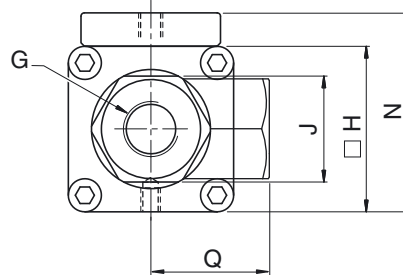
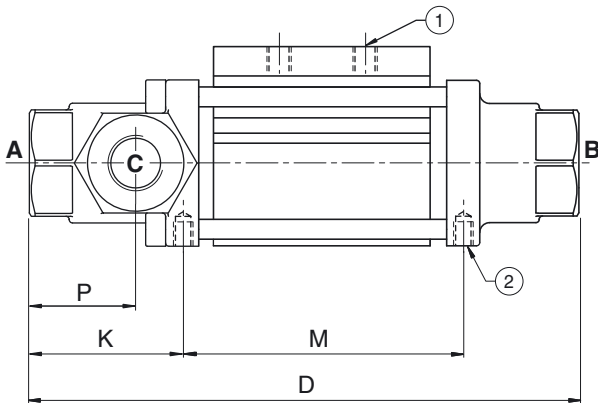
### DIMENSIONS (mm), WEIGHT (kg)



**TYPE 01**  
NAMUR interface pilot

### ORDERING EXAMPLES KITS:

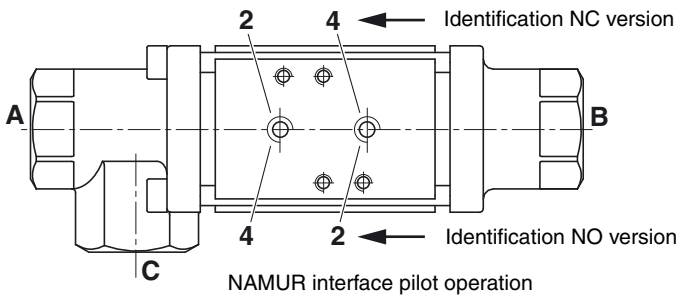
	C140208
	C140212
basic number	_____



Pressure inlet:

- NC function = port B
- NO function = port C

- ① 2 pilot ports G 1/8
- ② 2 mounting holes Ø M5, depth 7 mm



type	G	D	H	J	K	M	N	P	Q	X	Y	Z	weight <sup>(1)</sup>
01	3/8	166	50	32	46	85	60	32	37	24	111	6	1,5
	1/2	200	70	41	58	103	68	38,5	60	38	136	6	3,0
	3/4	229	80	46	71	111	78	45,5	72	45	151	7	4,4
	1	249	90	55	73	121	88	48	80	50	165	7	6,1

<sup>(1)</sup> Without mounting brackets.

