

FEATURES

- Drilled blocs for machine tool manufacturers
- Suitable for dosing/filling applications and industrial washing machines
- Installation on common rail with distribution or mixing flow function
- Compact solenoid valve for easy installation
- Epoxy moulded coil for general service applications
- AC/DC interchangeability of the solenoid head without any need for disassembly of the valve
- Three manual operator versions
- Flexible installation on joinable subbases
- The solenoid valves satisfy all relevant EU directives

GENERAL

Differential pressure See «SPECIFICATIONS» [1 bar =100 kPa]
Maximum viscosity 40 cSt (mm²/s)
Response time 8 - 20 ms

fluids (*)	temperature range (TS)	seal materials (*)
air, inert gas, water, oil	-25°C to +80°C	NBR (nitrile)

MATERIALS IN CONTACT WITH FLUID

(*) Ensure that the compatibility of the fluids in contact with the materials is verified

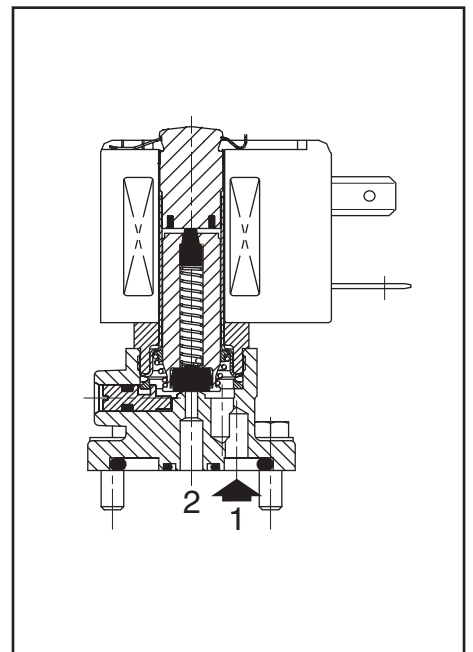
Body	Brass
Internal parts, spring	Stainless steel
Seat	Brass
Seals	NBR
Shading coil	Copper

ELECTRICAL CHARACTERISTICS

Coil insulation class F
Connector Spade plug (cable Ø 6-10 mm)
Connector specification ISO 4400 / EN 175301-803, form A
Electrical safety IEC 335
Electrical enclosure protection Moulded IP65 (EN 60529)
Standard voltages DC (=) : 24V - 48V
 (Other voltages and 60 Hz on request) AC (~) : 24V - 48V - 115V - 230V / 50 Hz

prefix option	power ratings				operator ambient temperature range (TS) (C°)	replacement coil		type ⁽¹⁾
	inrush ~	holding ~	hot/cold =			~	=	
	(VA)	(VA)	(W)	(W)		230 V/50 Hz	24 V DC	
SC	55	23	10,5	9/11,2	-40 to +60	400425-117	400425-142	01

⁽¹⁾ Refer to the dimensional drawings on the following page.



SPECIFICATIONS

pipe size	orifice size	flow coefficient Kv		min.	operating pressure differential (bar)		power coil (W)		catalogue number	options			
					max. (PS)					maintained man. operator	impulse man. operator	FPM	EPDM
					air, water, oil (*)								
(G*)	(mm)	(m ³ /h)	(l/min)		~	=	~	=	~/=				
NC - Normally closed													
pad mounting	2	0,11	1,8	0	40	40	10,5	11,2	SCS272A016	MS	MO	V	E
	2,7	0,22	3,6	0	40 (30)	15	10,5	11,2	SCS272A017	MS	MO	V	E
	3,8	0,32	5,3	0	20 (15)	8	10,5	11,2	SCS272A018	MS	-	V	E
	4,5	0,42	7	0	16 (10)	5	10,5	11,2	SCS272A019	MS	-	V	E
	5,5	0,63	10,5	0	10 (6)	2	10,5	11,2	SCS272A020	MS	-	V	E

() Allowable operating pressure differential with operator type "PV".

OPTIONS

- Valves can also be supplied with FPM (fluoroelastomer) and EPDM (ethylene-propylene) seals and discs. Use the appropriate optional suffix letter for identification
- Waterproof enclosure with embedded screw terminal coil according to protection class IP67, CEE-10 (prefix WP)
- Explosionproof enclosures for use in zones 1/21-2/22, categories 2-3 to ATEX Directive 2014/34/EU (see "Explosionproof solenoids" section)
- Class H coil (10,5W/11,2W coils), prefix HT
- Button type manual operator, use TPL 20655, example: SCXS272A017 TPL 20655 (available for all versions)
- Oxygen service with seals and disc in FPM, suffix NV, example: SCS272A017NV
- Brass subbases: Single (1/4), catalogue number **36101001** / Joinable (1/4), catalogue number **36101027**
- Aluminium subbases: Single (1/2), catalogue number **36101029**
Supply rail (1/2), 2 to 6 (**36101030** to **36101034**), 8 (**36101035**), 10 (**36101036**)
- Other pipe connections are available on request
- Plug with visual indication and peak voltage suppression or with cable length of 2 m (see Solenoids, Coils & Accessories section)

INSTALLATION

- The solenoid valves can be mounted in any position without affecting operation
- Mounting on single or joinable subbase or on supply rail, four mounting holes
- ATEX 2014/34/EU versions can be installed on single or joinable brass subbases
- 1/4 and 1/2 subbases pipe connections (G*) have standard combination thread according to ISO 228/1 and ISO 7/1
- Installation/maintenance instructions are included with each valve

SPARE PARTS KIT

catalogue number	spare parts kit no.		
	~	=	maintained manual operator
all catalogue numbers	C140159	C140159	C140048

(1) Standard suffixes E and V are also applicable to kits.

ORDERING EXAMPLES:

SC	S	272	A	017	MO	24V / DC
SC	S	272	A	017	MO	230V / 50 Hz

prefix pipe thread basic number voltage suffix

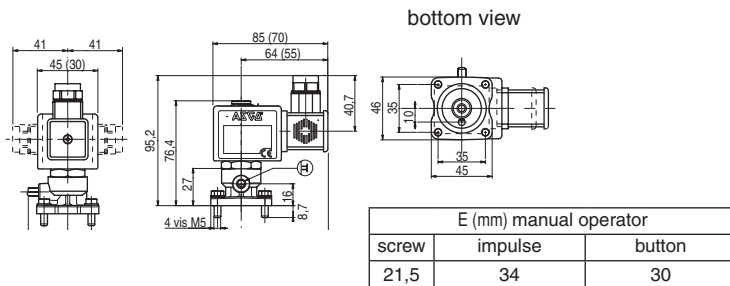
ORDERING EXAMPLES KITS:

C140159	
C140159	V
C140159	E

basic number suffix

DIMENSIONS (mm), WEIGHT (kg)

TYPE 01
Prefix "SC" Solenoid
Epoxy moulded
IEC 335 / ISO 4400
IP65

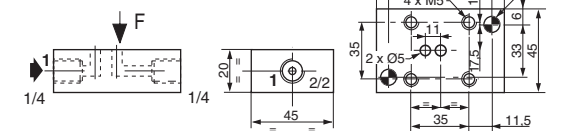


type	prefix option	weight
01	SC	0,529 (1)
02	single subbase	0,453
03	single subbase	0,228

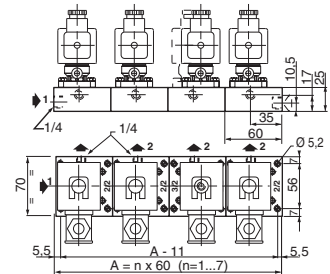
(1) Incl. coil(s) and connector(s)

type	weight number of valves									
	2	3	4	5	6	7	8	9	10	
04	1,487	2,251	3,015	3,779	4,543	5,307	-	-	-	
05	0,379	0,530	0,681	0,832	0,983	-	1,285	-	1,587	

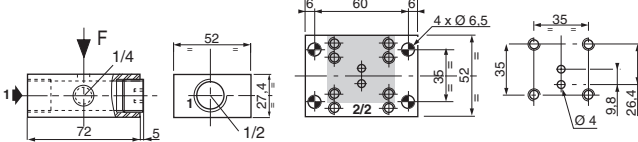
TYPE 02
Single brass subbase
36101001



TYPE 04
Joinable brass subbases
36101027 (unit)
2/2 way can be combined with 3/2 way



TYPE 03
Single aluminium subbase
36101029



TYPE 05
Aluminium supply rails
36101030..1036
2/2 way can be combined with 3/2 way

