

FEATURES

- Valves do not require a minimum operating pressure and have a high operating pressure as indicated
- Valve operation is not affected by mounting position
- For use with fluids other than those specified below, use other seat materials (St. steel/Bronze)
- The solenoid valves satisfy all relevant EC directives

GENERAL

Differential pressure See «SPECIFICATIONS» [1 bar =100 kPa]
Maximum viscosity 65 cSt (mm²/s)
Response time 5 - 25 ms

fluids (*)	temperature range (TS)	seal materials (*)
air, inert gas, water, oil	-20°C to +90°C	NBR (nitrile)



MATERIALS IN CONTACT WITH FLUID

(*) Ensure that the compatibility of the fluids in contact with the materials is verified

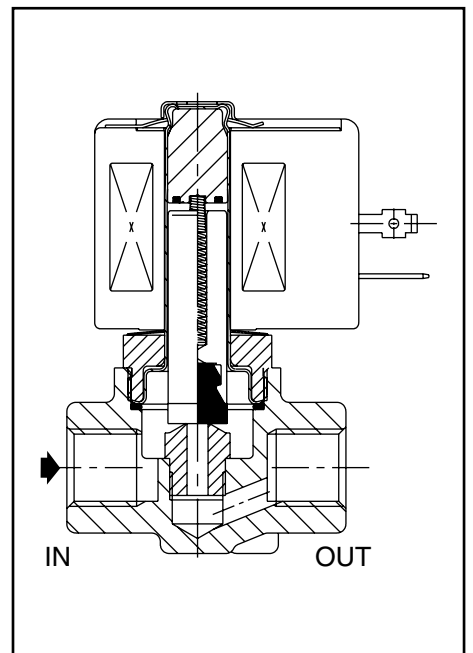
	Brass body	Stainless steel body
Body	Brass	AISI 303 SS
Core tube	Stainless steel	Stainless steel
Core and plugnut	Stainless steel	Stainless steel
Springs	Stainless steel	Stainless steel
Seat	Brass	Stainless steel
Seals	NBR	NBR
Disc	NBR	NBR
Shading coil	Copper	Copper

ELECTRICAL CHARACTERISTICS

Coil insulation class F
Connector Spade plug (cable Ø 6-10 mm)
Connector specification ISO 4400 / EN 175301-803, form A
Electrical safety IEC 335
Electrical enclosure protection Moulded IP65 (EN 60529)
Standard voltages DC (=) : 24V - 48V
 (Other voltages and 60 Hz on request) AC (~) : 24V - 48V - 115V - 230V / 50 Hz

prefix option	power ratings				operator ambient temperature range (TS) (C°)	replacement coil		type ⁽¹⁾
	inrush ~	holding ~	hot/cold =			~	=	
	(VA)	(VA)	(W)	(W)		230 V/50 Hz	24 V DC	
SC	34	15,6	6	7 / 9,7	-20 to +75	400325-117	400325-142	01
	30	22,5	9	9,5/15,3	-20 to +50	400325-217	400325-242	01
	55	23	10,5	9/11,2	-20 to +75	400425-117	400425-142	02
	78	35	16,7	-	-20 to +50	400425-217	-	02

⁽¹⁾ Refer to the dimensional drawings on the following page.



SPECIFICATIONS

pipe size	orifice size (mm)	flow coefficient Kv (m ³ /h) (l/min)		operating pressure differential (bar)						power coil (W)		catalogue number		options								
				max. (PS)								brass	stainless steel	maintained man. operator	FPM	EPDM	CR	PTFE				
				min.		air (*)		water (*)											oil (*)		~	=
NC - Normally closed																						
Rp 3/8	3,2	0,3	5	0	14	7	14	6	10	6	9	15,3	SCE263C003	-	MO	V	E	J	T			
	3,2	0,3	5	0	20	5	20	5	18	4	16,7	11,2	SCE263B232	-	MO	V	E	J	T			
	4	0,43	7,2	0	6,5	2,5	6,5	2,5	6,5	2,5	10,5	11,2	SCE263B200	-	MO	V	E	J	T			
	5,6	0,62	10,3	0	6,5	1,7	6,5	1,7	6,5	1,7	16,7	11,2	SCE263B206	-	MO	V	E	J	T			
	7,1	0,82	13,7	0	1,8	1	2,5	1	1,3	1	6	9,7	SCE263C054	-	MO	V	E	J	T			
NPT 3/8	5,6	0,62	10,3	0	6,5	1,7	6,5	1,7	6,5	1,7	16,7	11,2	-	SCB263B332	MO	V	E	J	T			

OPTIONS

- Valves can also be supplied with FPM (fluoroelastomer), EPDM (ethylene-propylene), CR (chloroprene) and PTFE seals and discs. Use the appropriate optional suffix letter for identification
- Waterproof enclosure with embedded screw terminal coil according to protection class IP67, CEE-10
- Explosionproof enclosures for use in zones 1/21-2/22, categories 2-3 to ATEX Directive 94/9/EC (see "Explosionproof solenoids" section)
- Electrical enclosures according to "NEMA" standards are available
- Compliance with "UL", "CSA" and other local approvals available on request
- Other pipe connections are available on request
- Plug with visual indication and peak voltage suppression or with cable length of 2 m (see Solenoids, Coils & Accessories section)

INSTALLATION

- The solenoid valves can be mounted in any position without affecting operation
- Solenoid valves have 2 mounting holes in body
- Pipe connection identifier is E = Rp (ISO 7/1) or B = NPT (ANSI 1.20.3)
- Installation/maintenance instructions are included with each valve

SPARE PARTS KIT

catalogue number	spare parts kit no.	
	~	=
SCE263C003	C302018	C302068
SCE263C054	C302022	C302068
SCE263B200/206/232	C302001	C302062
SCB263B332	C302001	C302062

⁽¹⁾ Standard prefixes/suffixes are also applicable to kits.

ORDERING EXAMPLES:

SC	E	263	C	003	230V / 50 Hz
SC	E	263	C	054	MO 115V / 50 Hz
SC	E	263	B	200	V 24V / DC
SC	E	263	B	206	E 230V / 50 Hz

prefix pipe thread basic number voltage suffix

ORDERING EXAMPLES KITS:

C302018 ⁽¹⁾	
C302068	V
C302001	E

basic number suffix

DIMENSIONS (mm), WEIGHT (kg)



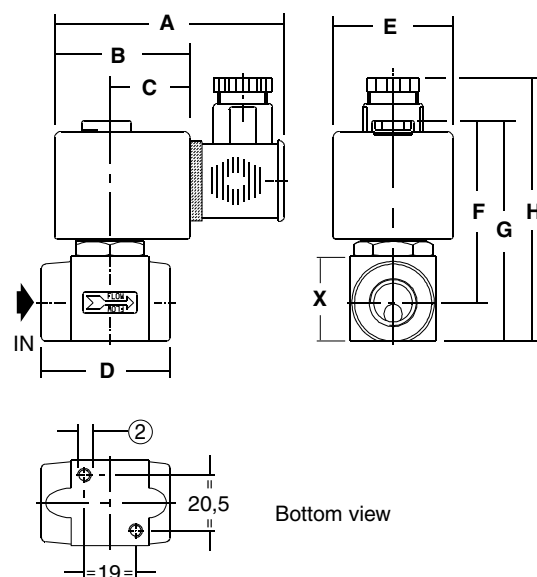
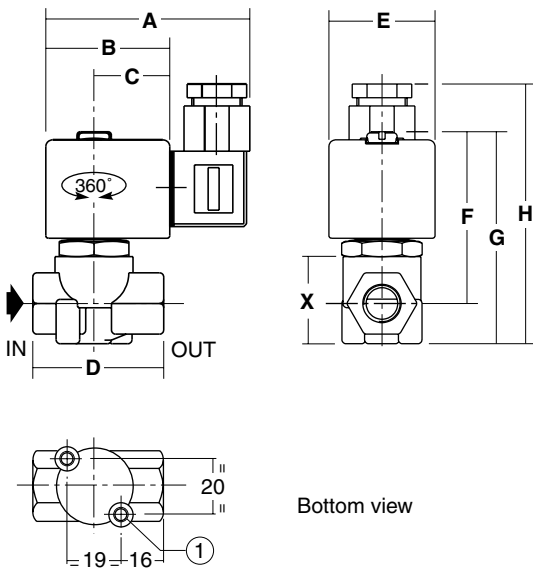
TYPE 01-02
Prefix "SC" Solenoid
Epoxy moulded
IEC 335 / ISO 4400
IP65

Type 01: SCE263C003/C054
Type 02: SCE263B232/B200/B206



TYPE 02
Prefix "SC" Solenoid
Epoxy moulded
IEC 335 / ISO 4400
IP65

SCB262B332



type	prefix option	catalogue number	A	B	C	D	E	F	G	H	X	weight ⁽²⁾
01	SC	SCE263C003/C054	75	45	27	48	39	65	74	96	32	0,4
02	SC	SCE263B232/B200/B206	80	50	30	48	45	68	83	100	34	0,5
		SCB263B332	80	50	30	50	45	68	83	100	34	0,5

2 mounting holes:

- ① Ø M4, depth 6 mm
- ② 190-24 UNC-2B, depth 6 mm

⁽²⁾ including coil and connector.

All leaflets are available on: www.asconumatics.eu